




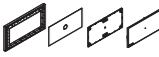




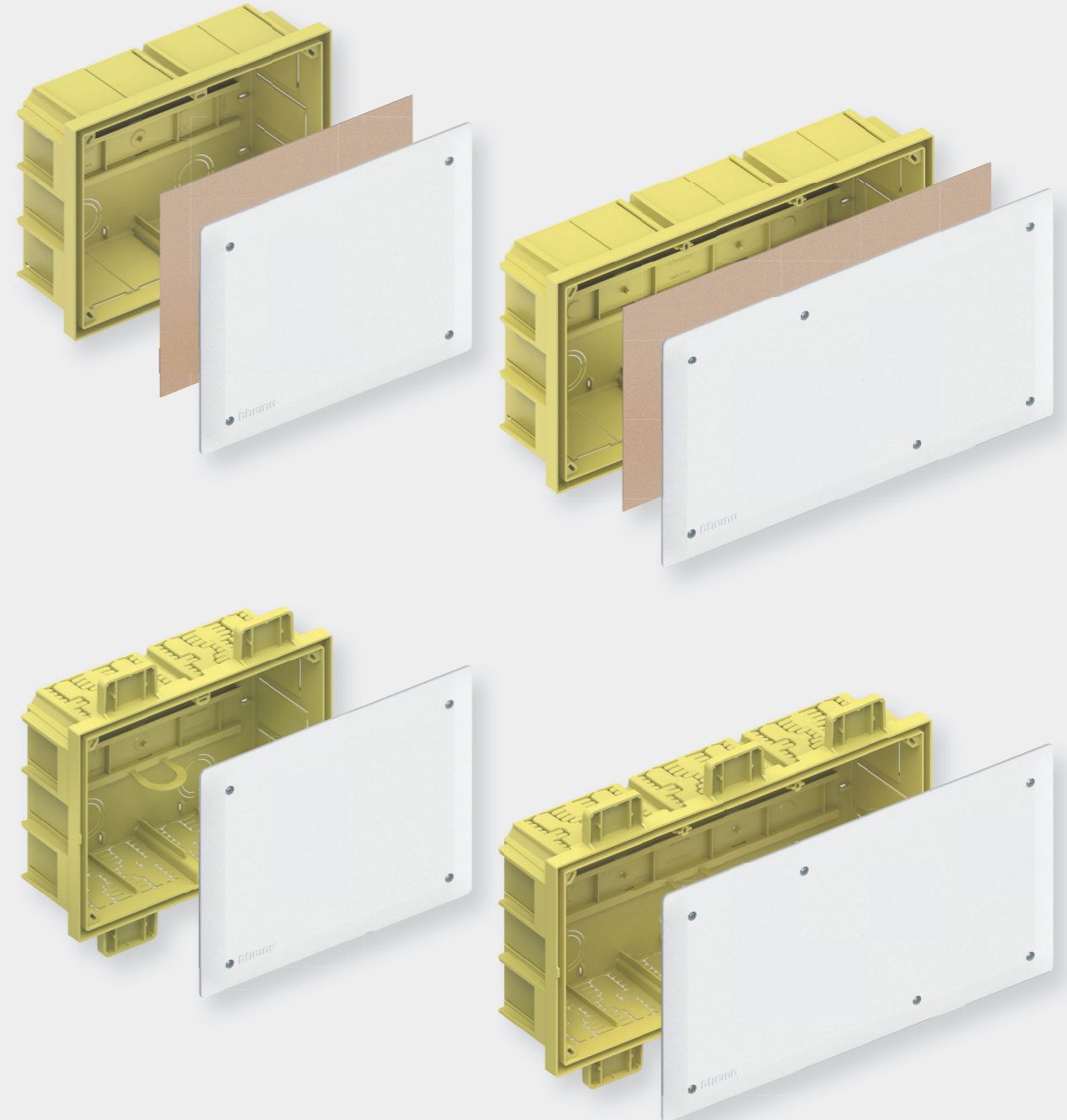


Item	Junction boxes
○ 16212	 Flush-mounted junction box for masonry walls, complete with paintable cover - made of shock-resistant polystyrene. Internal dimensions 193x149x82 (mm). External dimensions 209x165x93 (mm).
○ 16213	 Flush-mounted junction box for masonry walls, complete with paintable cover - made of shock-resistant polystyrene. Internal dimensions 284x149x82 (mm). External dimensions 300x165x93 (mm).
○ 16222	 Junction box for plasterboard walls complete with paintable cover - in self-extinguishing PC+ABS blend. Internal dimensions 193x149x82 (mm). External dimensions 209x217x93 (mm).
○ 16223	 Junction box for plasterboard walls complete with paintable cover - in self-extinguishing PC+ABS blend. Internal dimensions 284x149x82 (mm). External dimensions 300x217x93 (mm).

Item	Kit for flush-mounted installation
○ 16212F	 Wall installation kit for boxes measuring 193x149x82 (mm) art. 16212 - 16222, complete with frame, mortar guard cardboard, technical cover, aesthetic cover.
○ 16213F	 Wall installation kit for boxes measuring 284x149x82 (mm) item no. 16213 - 16223, complete with frame, mortar guard cardboard, technical cover, aesthetic cover.

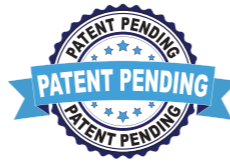
Item	Accessories for junction boxes
○ 16212D	 Internal divider for compartmentalisation. For boxes art. 16212 - 16213 - 16222 - 16223.
○ 16212C	 Replacement cover, paintable surface. For boxes art. 16212 - 16222.
○ 16213C	 Replacement cover, paintable surface. For boxes art. 16213 - 16223.
○ 16100GO	 Pair of couplings for horizontal coupling of two or more boxes.

NEW JUNCTION BOXES

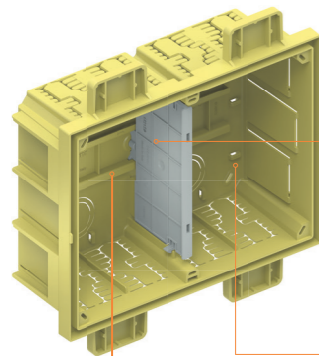


DESIGNED DOWN TO THE SMALLEST DETAIL TO SIMPLIFY INSTALLATION

The new junction boxes have been designed with extreme attention to detail and enhanced with accessories that offer innovative, **patented technological solutions**, specifically developed to simplify installers' work as much as possible.



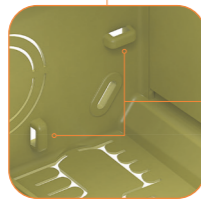
Boxes for plasterboard and masonry walls



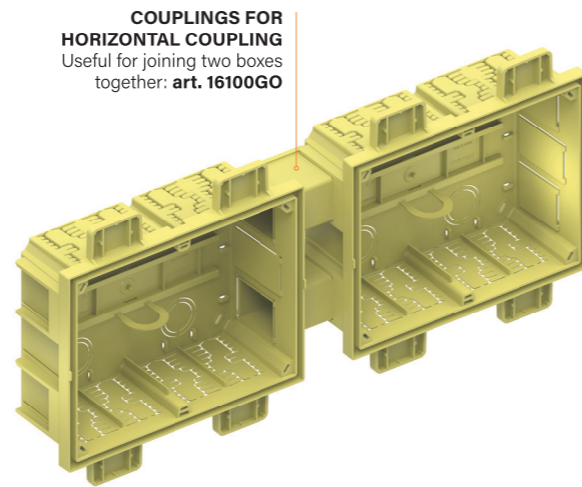
INTERNAL DIVIDER
To divide and isolate the different circuits inside the same electrical box, ensuring safety and order (art. 16212D).



DIN RAIL
Located on the bottom of the box.



CABLE TIE ANCHORING LOOPS
They ensure stable and tidy fastening of cables and corrugated conduits.



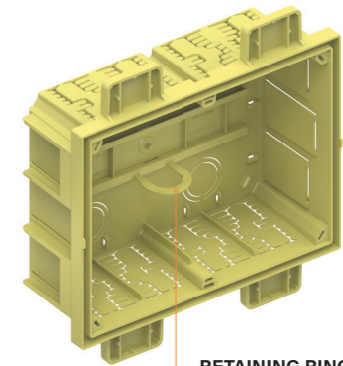
COUPLINGS FOR HORIZONTAL COUPLING
Useful for joining two boxes together: art. 16100GO

Note: the boxes shown in the images are for plasterboard walls. The instructions are also valid for boxes for masonry walls.

Boxes for plasterboard walls



COMB-SHAPED ENTRIES FOR CORRUGATED CONDUIT RETENTION
On the long sides, there are prefabricated sections with comb-shaped retaining tabs, designed as entry points for corrugated conduits. Once used, these entries securely hold the conduit, preventing it from slipping behind the wall.
Each slot can accommodate either three 20mm corrugated conduits or two 25mm ones.



RETAINING RING FOR FIXING
The boxes are equipped with a ring that serves to hold the box in place during the fixing operation. Once this operation is complete, the ring can be removed.

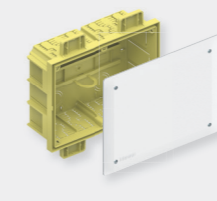
BOXES AVAILABLE IN TWO FORMATS

2-compartment boxes (internal dimensions mm 193 x 149 x 82)

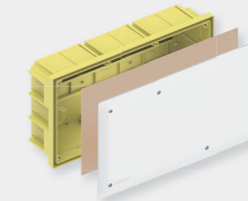
3-compartment boxes (internal dimensions mm 284 x 149 x 82)



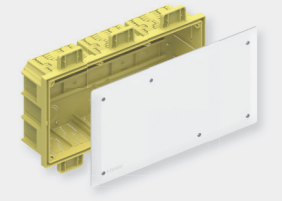
Masonry*
Item 16212



Plasterboard**
Item 16222



Masonry*
Item 16213



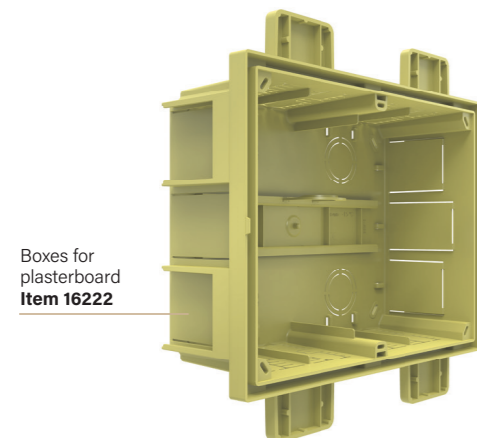
Plasterboard**
Item 16223

* masonry boxes: supplied with mortar-protection cardboard insert and cover fitted with screws
** plasterboard boxes: supplied with cover fitted with screws

Also suitable for flush-mounted installation



Boxes for masonry
Item 16212



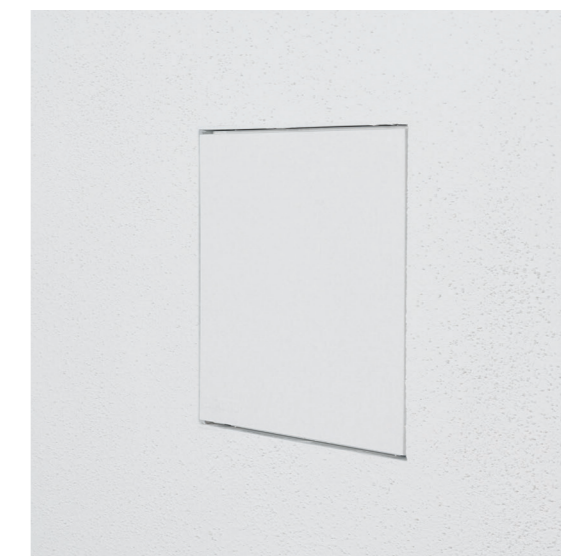
Boxes for plasterboard
Item 16222

ACCESSORY KIT - SINGLE KIT FOR MASONRY AND PLASTERBOARD - Item 16212F



Note: For flush-mounted installation of junction boxes in masonry walls, before embedding the box, screw on the accessory kit frame, keeping the more protruding edge visible.

Once installation is complete, the junction box is **perfectly aligned with the wall**, with no protrusions.



FLUSH-MOUNTED INSTALLATION:
Scan the QR code to watch the video tutorials

