



DIGITAL.
FUNCTIONAL.
PERFORMING.

LINEA 5000

WITH
Netatmo



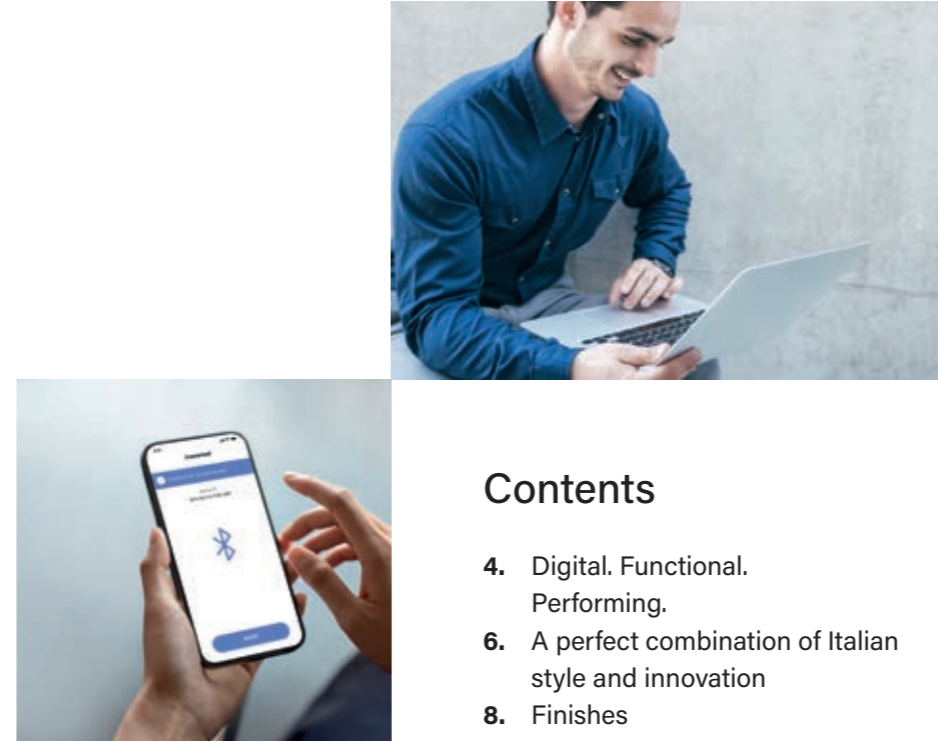
#ImprovingLives

bticino

A brand of  legrand®



Linea 5000 provides a complete building access experience, from installation to daily use and maintenance, perfectly adapting to the modern lifestyle.



Contents

- 4. Digital. Functional. Performing.
- 6. A perfect combination of Italian style and innovation
- 8. Finishes
- 10. BTicino 2 Wires technology
- 12. Smart configuration with Home + Project
- 16. Physical and digital customisation
- 18. Call modes
- 19. Access modes

Technical features

- 20. Connections and functions
- 21. Main features
- 22. Additional modules
- 24. Installation contexts
- 26. Installation modes

Catalogue and dimensional data

- 29 - 33 Catalogue
- 34 - 37 Dimensional data
- 39. Online Tools

Linea 5000

Digital. Functional. Performing.

Linea 5000 with Netatmo is the new BTicino 2 Wires Smart entrance panel.

Ideal for the "digitalisation" of multi-family settings, it takes access to modern buildings to the next level. Featuring a large 7" touch screen display, a wide angle HQ camera, digital filters and a modern and intuitive graphic interface, it integrates perfectly with contemporary buildings, conveying a feeling of innovation and high quality.



- 2 WIRES**
- IP65**
- IK08**
- 7"**
- HQ**
- Bluetooth**
- WI-FI**
- ETH.**

Access the building in different ways:

- ***

CODE
- KEY CARD**
- SMARTPHONE**

In summary, Linea 5000 with Netatmo is a modern, safe and customisable digital experience, ideal for building access control and suitable for any installation situation.

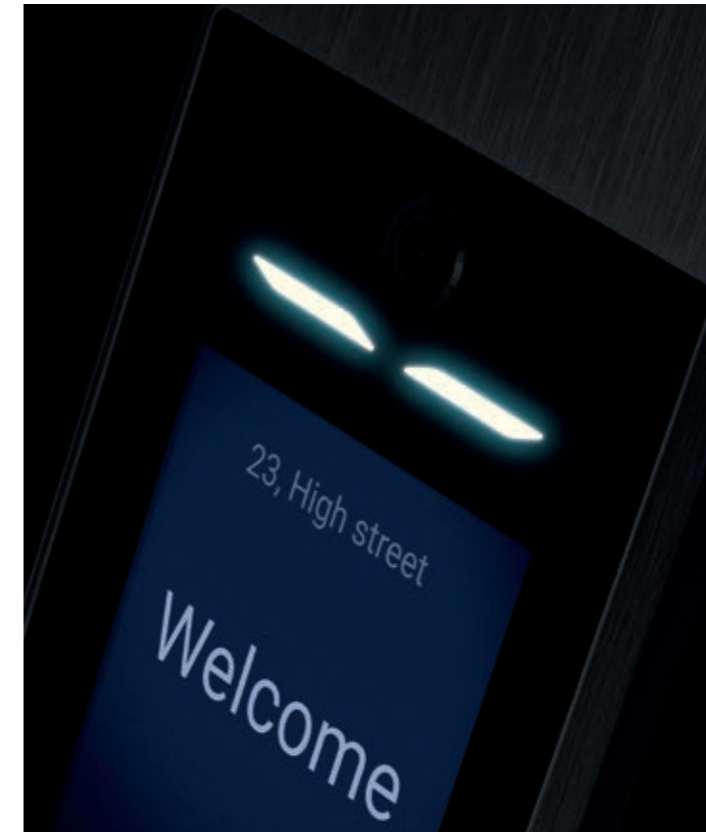


Linea 5000

A perfect combination
of Italian style
and innovation



Inspired by modern architecture, Linea 5000 offers cutting-edge design, sophisticated details and innovative functions, enhancing the value of any entrance. The aluminium frame protects the display, while the bevelled edges give it a slim and yet sturdy appearance.



The technology, including the sensors, is hidden behind dark glass that activates automatically when approached.

Sophisticated details and durable materials exude style and high quality.



Linea 5000

5 exclusive finishes to add value to every entrance.

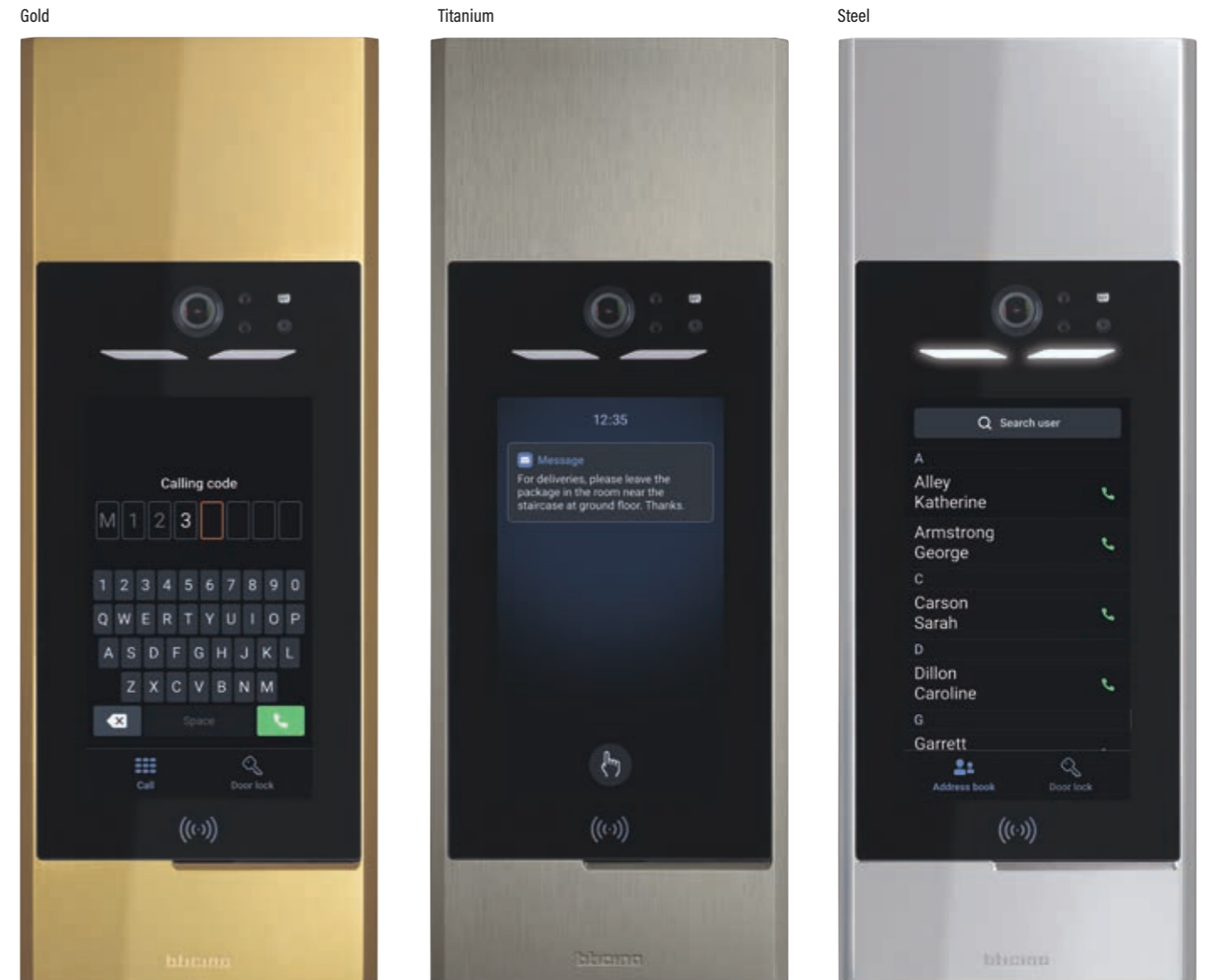
Find the solution for any room.

With 5 exclusive finishes in 60% recycled aluminium Linea 5000 with Netatmo can be easily adapted to all types of buildings, from contemporary of any size to classic architecture. Linea 5000 expresses robustness and high quality in every colour.

Two finishes in the catalogue.



Three finishes on demand made to order or project.



Linea 5000

BTicino 2 Wires technology.

No changes to your working habits. Same installation rules as for the 2 wires entrance panels.



Ideal for upgrading existing 2 wires video door entry systems (e.g. systems with Sfera entrance panels or traditional brass pushbutton panels). **Bring your old system to the digital era with the new Linea 5000 with Netatmo.** Perfectly compatible with all the devices of the BTicino 2 wires video door entry system range: Classe 100 and Classe 300EOS video internal units, power supply units and system accessories.

Linea 5000 is suitable for all home environments.

With 2 wires technology and the possibility of customising the finish with the desired colour, logo and street number, it guarantees maximum adaptability in any living context.

Building



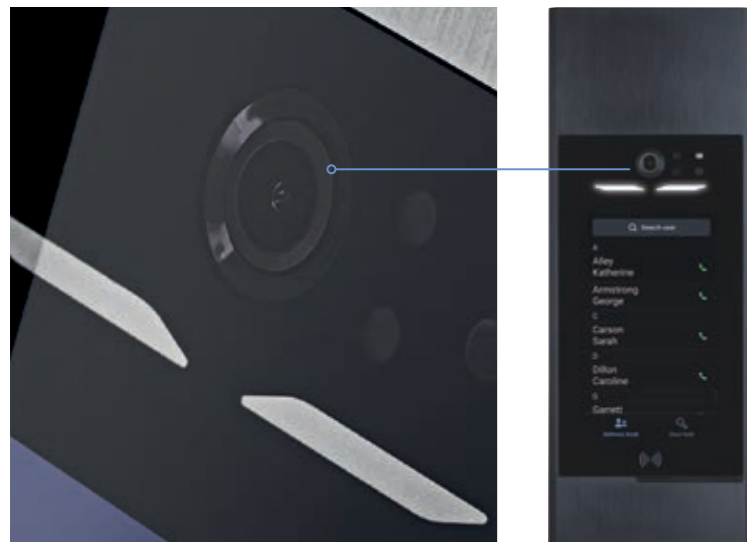
Apartment block



Villa



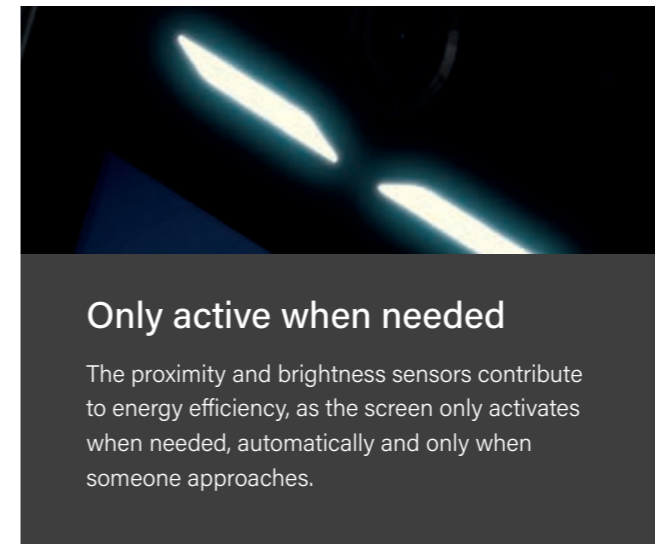
A sustainable approach



Wide angle HQ camera

Resolution: 5 Megapixels
Digital filters
Horizontal field of view: (119°)
Viewing field angle (diagonal): 151°

NOTE: video signal is transmitted to internal units via PAL encoding on 2-Wires BUS SCS technology.



Only active when needed

The proximity and brightness sensors contribute to energy efficiency, as the screen only activates when needed, automatically and only when someone approaches.

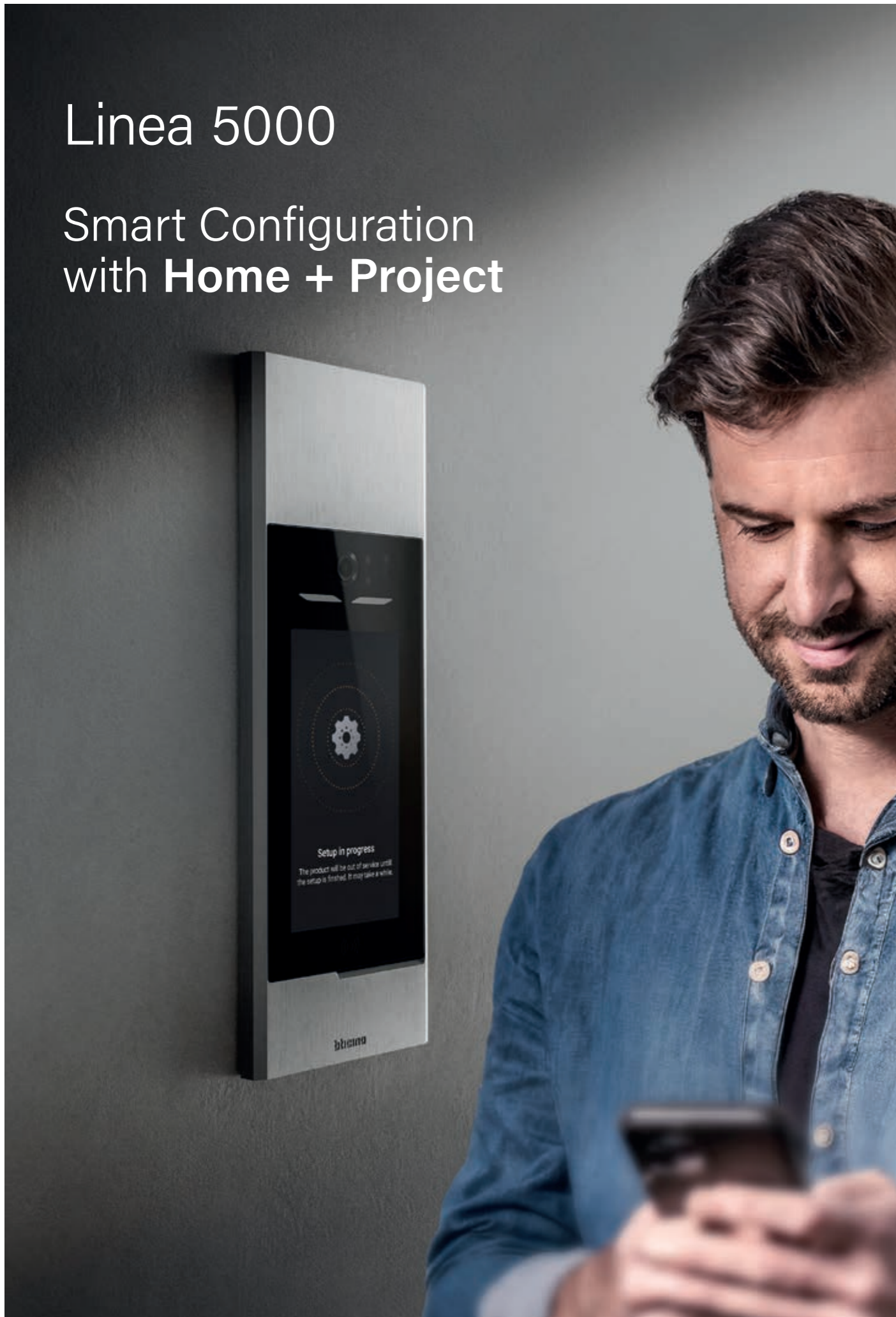


Recycled aluminium

The fixing frames of the Linea 5000 modules and the finishing frames are made of **60% recycled aluminium**.

Linea 5000

Smart Configuration with **Home + Project**



A new experience. Completely digital.

Linea 5000 with Netatmo will allow you to make your work "digital", and therefore more efficient, for a whole new user experience. Thanks to the Home + Project app, it will also be possible to remotely digitally configure, manage and update the pushbutton panel using a smartphone or PC, quickly and without the use of physical configurators.

With the new Linea 5000 with Netatmo, working has never been so smart.

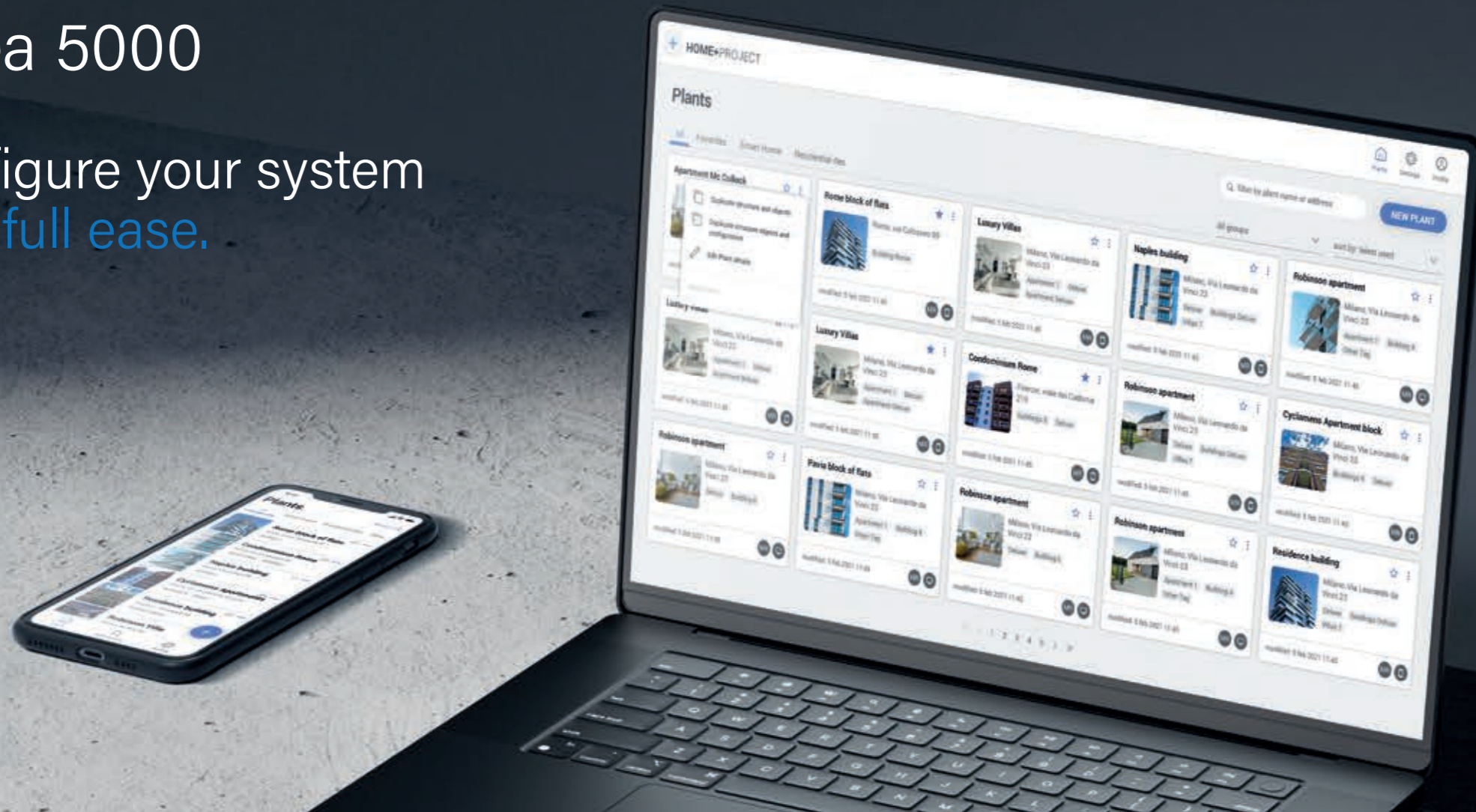
HOME + PROJECT IS COMPLETELY FREE AND CAN BE
DOWNLOADED FROM THE APP STORE AND GOOGLE PLAY



HOME + PROJECT

Linea 5000

Configure your system with full ease.



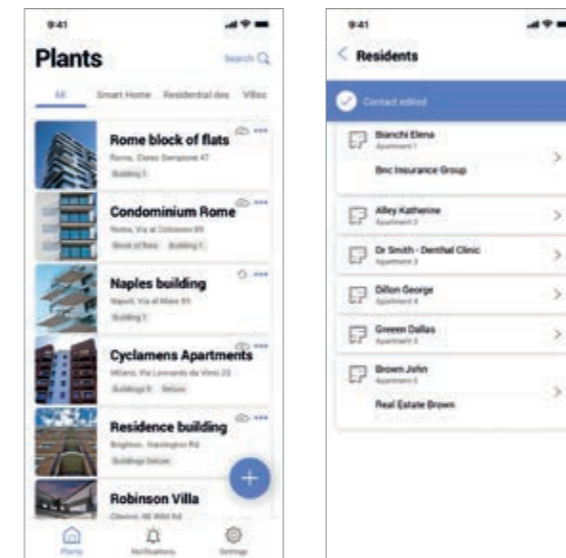
SMART REPOSITORY

HOME + PROJECT securely stores all your projects, allowing you to easily access your work from anywhere. Forget about searching for codes, local address book directories, and plant information: everything is centralized on H + P. Share your projects with colleagues or administrators quickly and securely, enhancing collaboration and increasing productivity. H + P is the ideal solution to save time and work more efficiently.



HOME + PROJECT. To digitally design, configure and customise the video door entry system

HOME + PROJECT - a new work tool for the installer. Available as a web app for Desktop PCs at <https://homeproject.legrand.com> and as a smart device mobile app for on-site configuration. Thanks to the App, creating, configuring, and fine-tuning the system has never been easier. The Web App for desktop allows you to create and configure the entire system directly from the office, with the convenience of importing files containing entire resident directories.



REMOTE ADDRESS BOOK EDITING

This digital tool helps simplify not only the configuration process, but also maintenance and customisation. Modify system parameters, update the address book and download the new entrance panel configuration, either remotely or directly on site via Bluetooth connection.

Linea 5000

Total adaptability.

The extensive customisation options, both physical and digital, bring unique freedom of expression. Possibility of customised finishes, with frames in assorted, logo and street number for total adaptability. All this makes Linea 5000 with Netatmo particularly suitable for **meeting the customisation requests from architects, design studios, real estate developers and customers.**



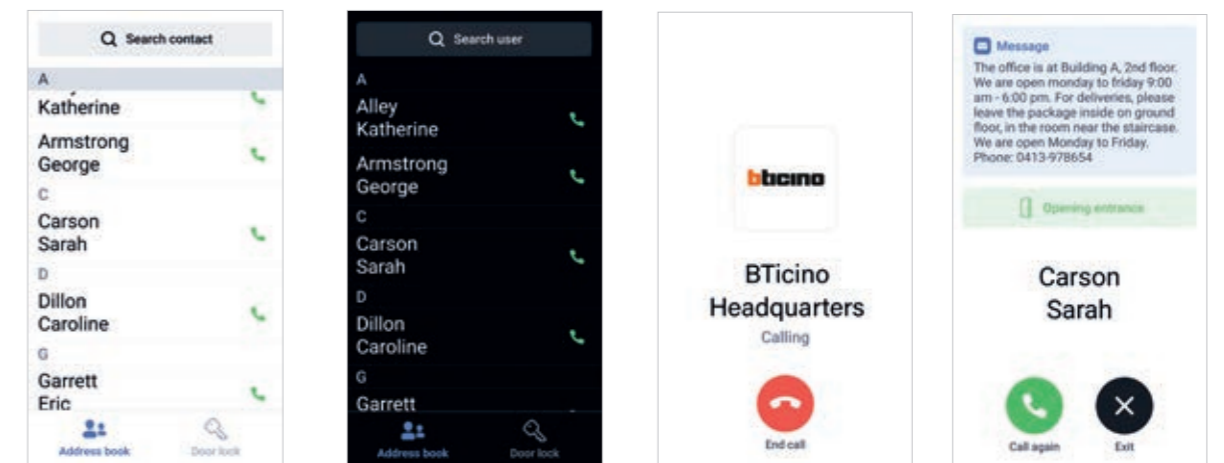
Physical customisation of the finishing frames

Using the specific online tool, it is possible to customise the finishing frames. Frames for customisation must be ordered using the specific custom part numbers (V/345101-02-03-04-05) - see the relevant catalogue pages.



Digital customisation of the display

It is also possible to customise the display screens by changing the names of the residents in the address book, the display mode, adding a logo / address, as well as displaying messages for visitors/couriers, etc.



White mode: for clear and intuitive use.

Dark mode: protect your eyes and save battery life.

The logo of adds a very personal touch.

Customisable messages for Airbnb guests, couriers and visitors.

Linea 5000

Multiple call modes.
Smart call.



ADDRESS BOOK

with list of residents' names.

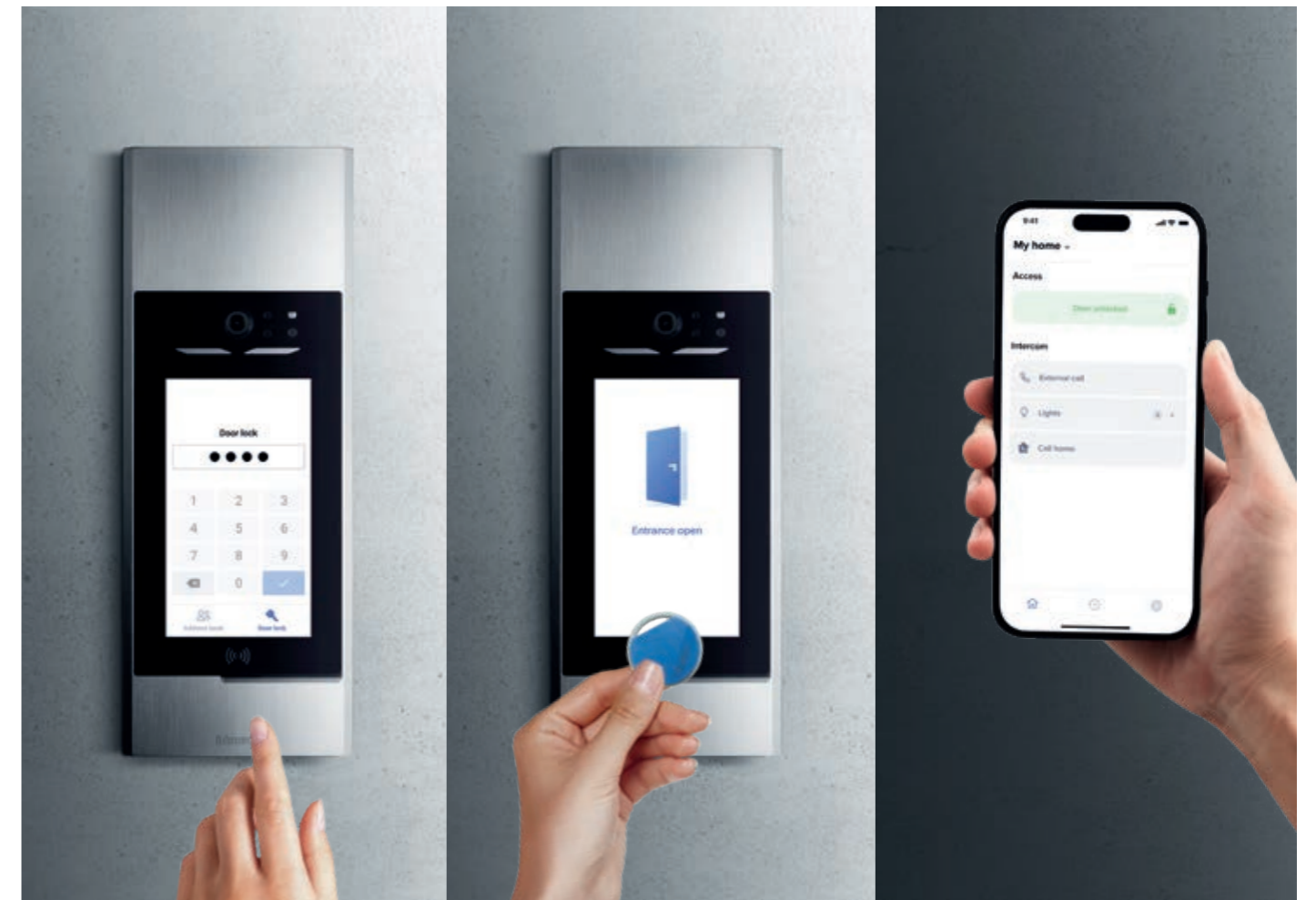
CALL WITH CODE (numeric or alphanumeric)

In this mode, in addition to the code you can also choose to have the address book.

APARTMENT BLOCK/RISER/FLOOR/ APARTMENT

Entering the exact address of the apartment to call in the system.

Multiple access modes.
Smart access.



NUMERIC CODE

Pre-set.
(maximum of 5 access codes, also with date/time schedule).

RFID KEYCARD

Pre-programmed / registered.
Keycards available in different colours.



SMARTPHONE

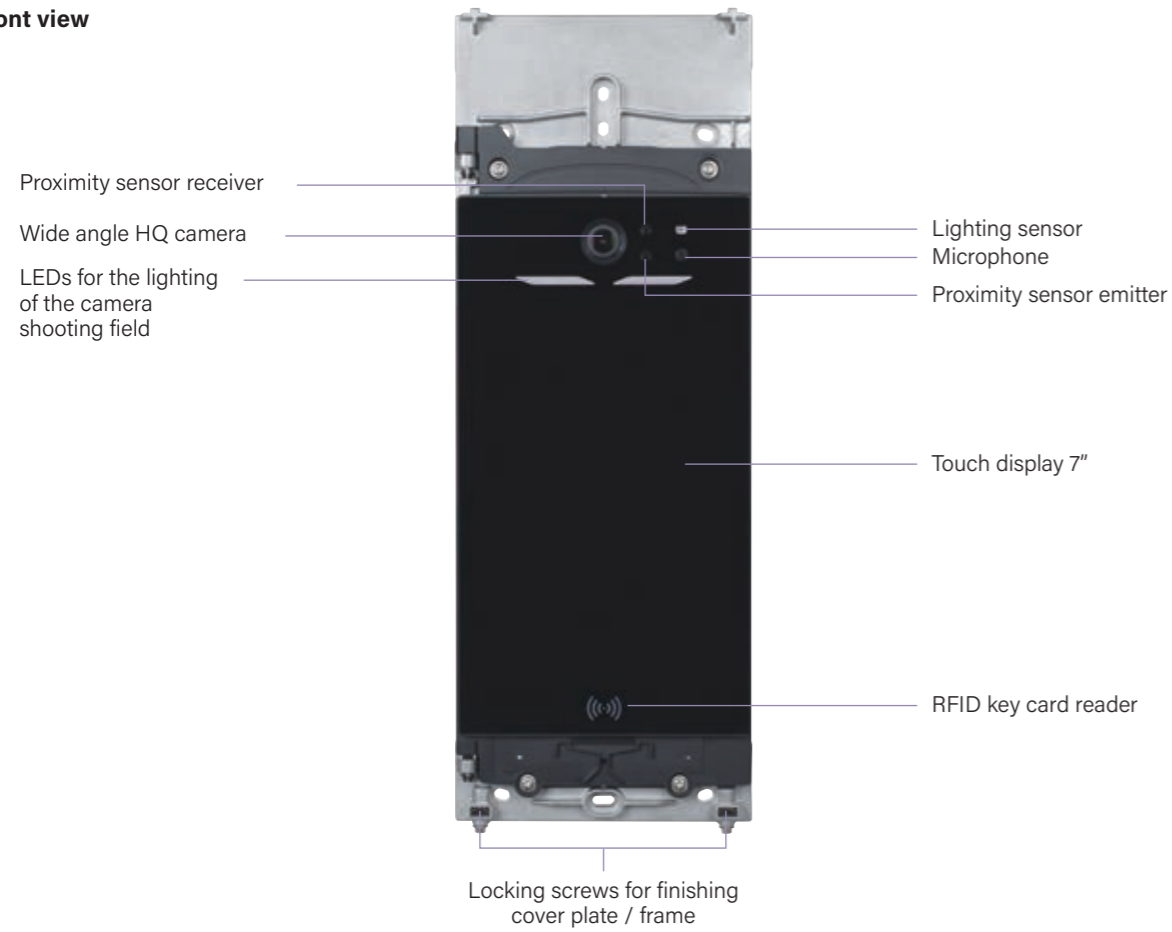
With Home + Security App
via Bluetooth connection.



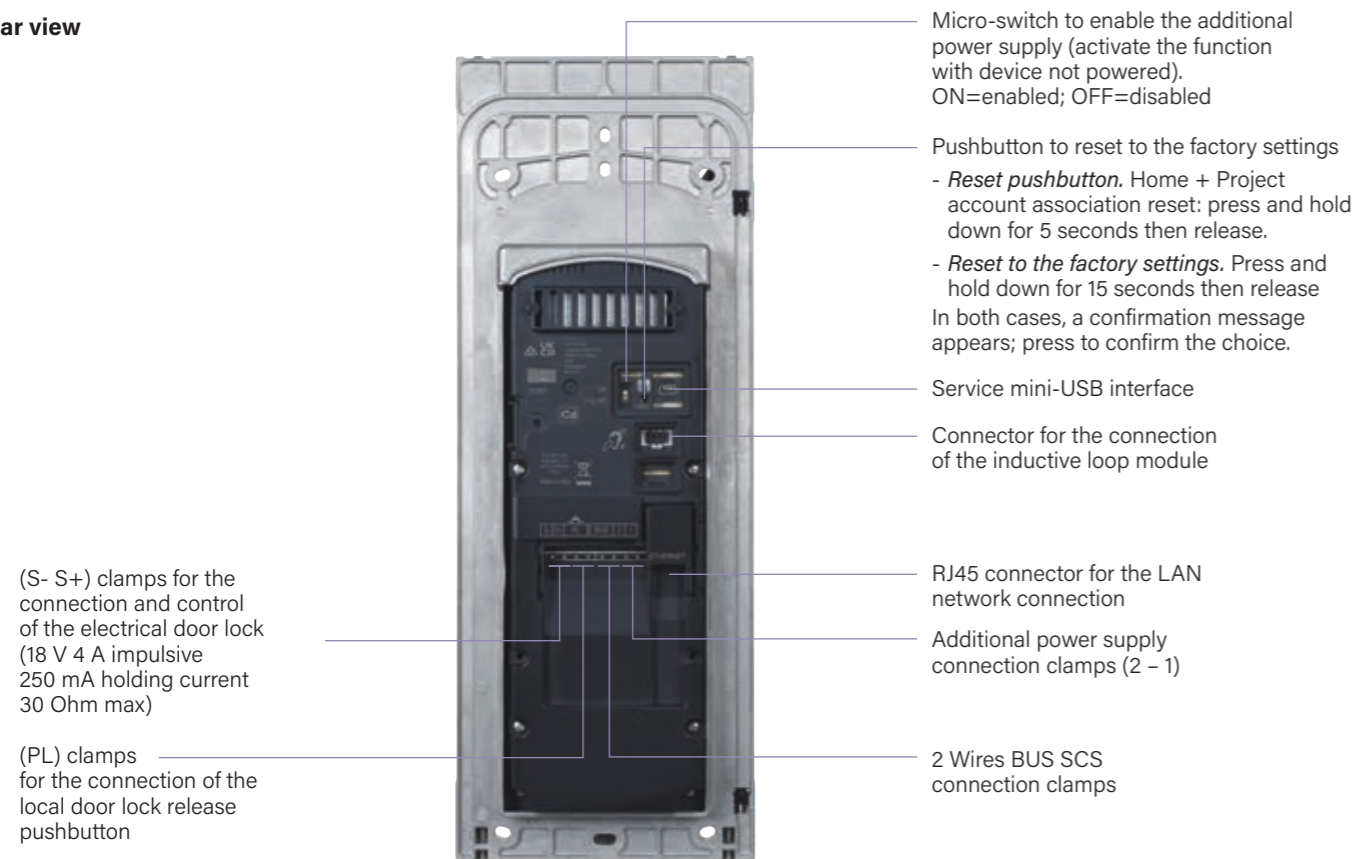
Linea 5000

Connections and functions - display module 345000

Front view



Rear view



Linea 5000

Main features



Display module

- BTicino 2 Wires BUS SCS technology;
- Wide angle HQ camera - 5 Megapixels;
- Touch screen vertical display 7";
- Built-in RFID keycard reader ;
- IP65 protection index;
- IK08 protection index against mechanical impact;
- Flush mounted installation;
- Wall and surface mounted installation;
- Twilight sensor and night vision;
- Digital microphone with echo eliminator;
- Voice feedbacks;
- Theme change – display mode (light/dark);
- Local configuration via Bluetooth;
- Remote configuration via Ethernet / Wifi;
- Update of the residents' address book using the app (H+P and H+S);
- Direct call to the guard station (if present);
- Compatible with the additional Inductive Loop module.
- Compatible with the additional keypad module.



Inductive loop module



Keypad module



RFID Smart Access module

Linea 5000

Additional modules

The Linea 5000 with Netatmo offer also includes 3 additional accessory modules, which can be installed in systems with at least 1 Linea 5000 display module, item 345000.

Keypad accessory module

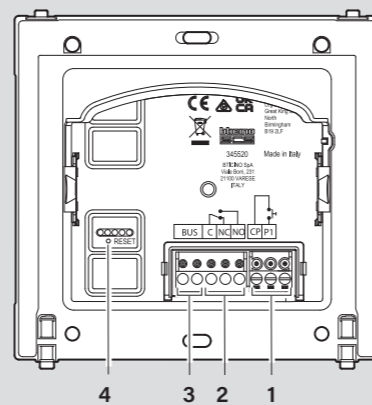
It allows the activation of an electrical door lock by means of a code. It is fitted with relay contacts (C – NO - NC) and clamps for the connection of a local door release pushbutton and can be programmed using the Home + Project app. It has the visual notification of the access status and night backlighting. To be completed with an appropriate frame, it can be used stand-alone or combined with a display module. Can be installed in 1-module flush mounted box, in wall mounted box or with dedicated accessory for 3+1 composition.



Aluminium finish



Nickel finish



- 1 – Connection of the local door lock release pushbutton;
- 2 – Built-in relay contacts;
- 3 – 2 wires SCS/BUS connection;
- 4 – Pushbutton to reset to the factory settings.

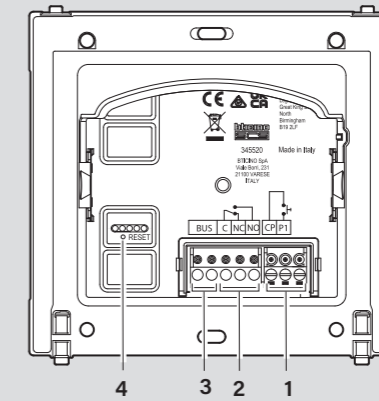


Linea 5000

Additional modules

RFID smart access accessory module

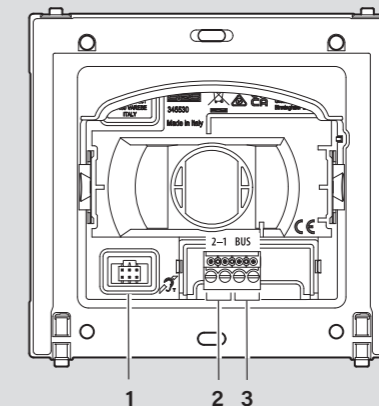
It allows the activation of an electrical door lock by means of a keycard or with Home + Security app via bluetooth. It is fitted with relay contacts (C – NO - NC) and clamps for the connection of a local door release pushbutton and can be programmed using the Home + Project app. It has some LEDs for the visual notification of the access status and night backlighting. To be completed with an appropriate finishing frame, it can be installed in 1-module flush mounted box or in wall mounted box for surface installation.



- 1 – Connection of the local door lock release pushbutton;
- 2 – Built-in relay contacts;
- 3 – 2 wires SCS/BUS connection;
- 4 – Pushbutton to reset to the factory settings.

Inductive loop accessory module

It allows people wearing hearing aids fitted with (T) selector to use audio door entry communication. It is connected to the display module using the multicable supplied. To be completed with the appropriate finishing frame. Installation in 1-module flush mounted box or with the dedicated accessory for 3+1 composition.



- 1 – Connection to the display module 345000;
- 2 – Local power supply (2 – 1) connection;
- 3 – 2 wires SCS/BUS connection.

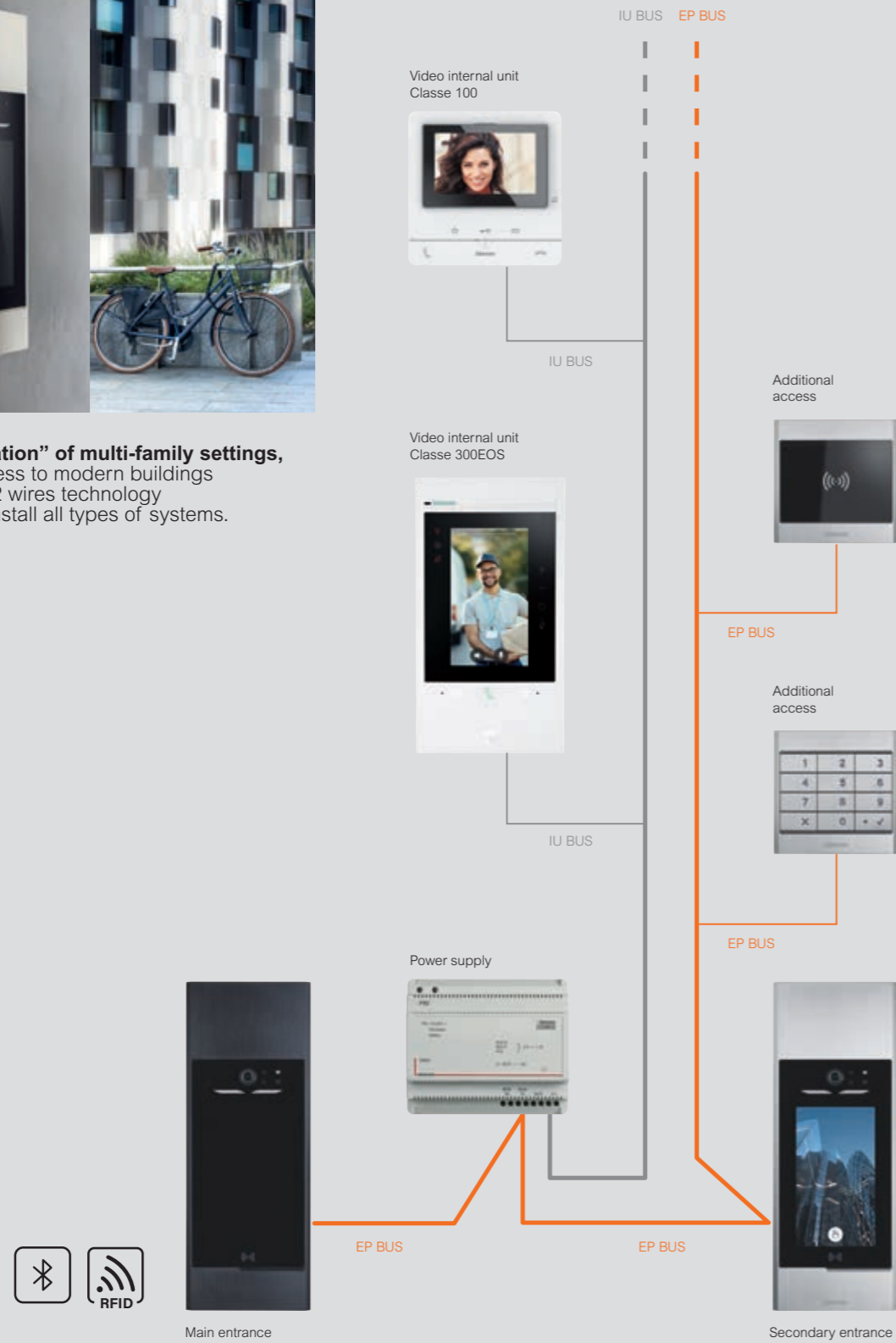
Linea 5000

Multi-family installation settings

■ Designed for multi-family apartment blocks



Ideal for the “digitisation” of multi-family settings, Linea 5000 takes access to modern buildings to the next level. The 2 wires technology makes it possible to install all types of systems.



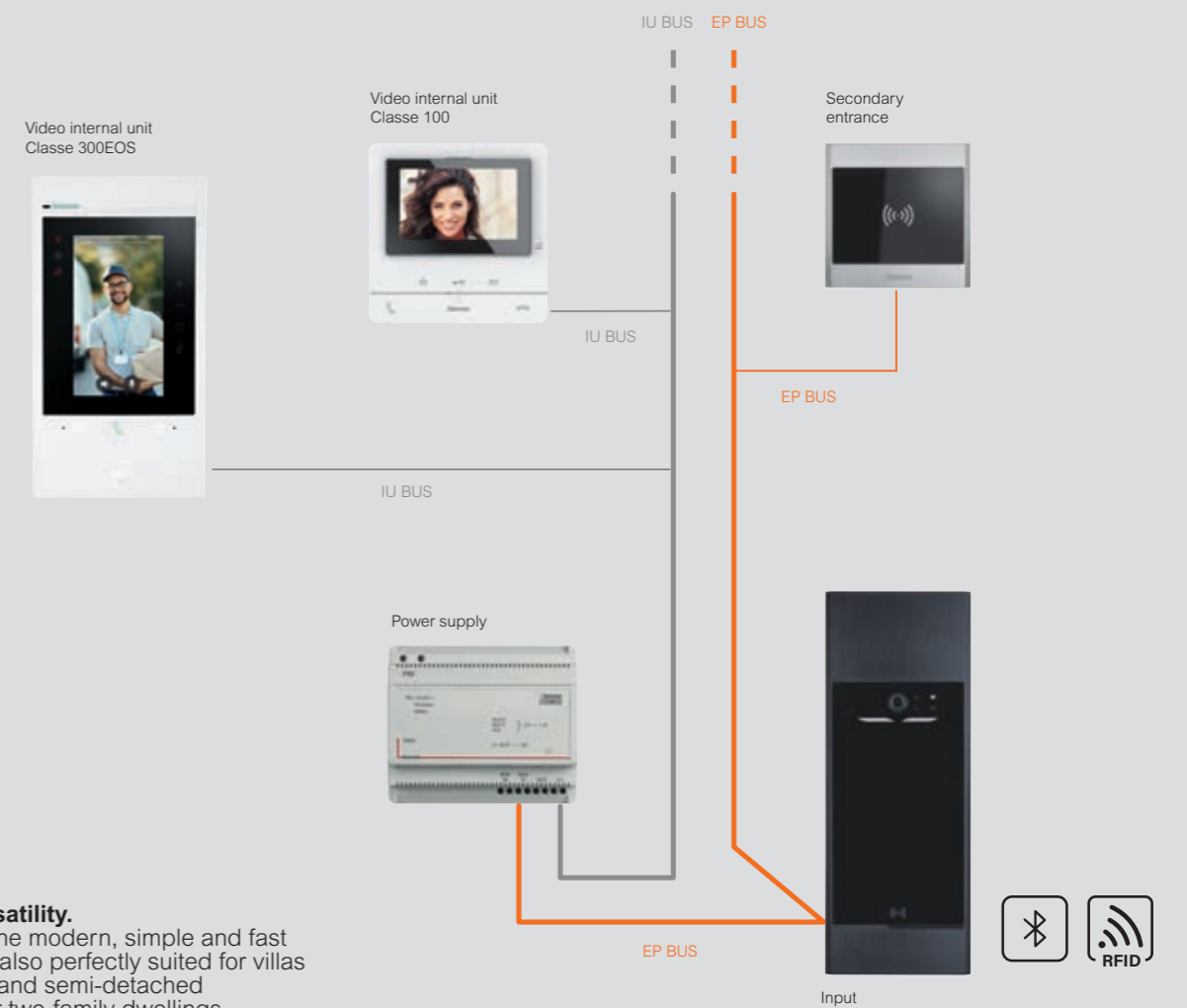
Linea 5000

Single-family installation settings - villa

■ Also ideal for small installations and single-family or two family villas



Maximum versatility. Linea 5000 is the modern, simple and fast solution that is also perfectly suited for villas and detached and semi-detached single-family or two-family dwellings.



Linea 5000

Display module installation

The Linea 5000 with Netatmo entrance panels and their add-on modules can be installed flush mounted or surface/wall mounted in different combinations, as shown in the following installation examples.

Flush mounted installation of the display module



3-module finishing frames

In the catalogue

345101 Aluminium	345102 Nickel

Made to order

345103 Gold	345104 Titanium	345105 Steel

Wall or surface mounted installation of the display module



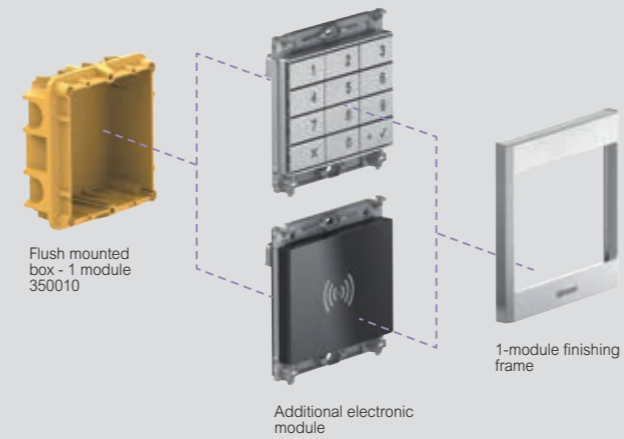
3-module wall mounted boxes with rainshield

345331 Aluminium	345332 Nickel

Linea 5000

Additional module installation

Stand alone flush mounted installation of the additional modules



1-module finishing frames

345201 Aluminium	345202 Nickel	
345203 Gold	345204 Titanium	345205 Steel

Additional modules

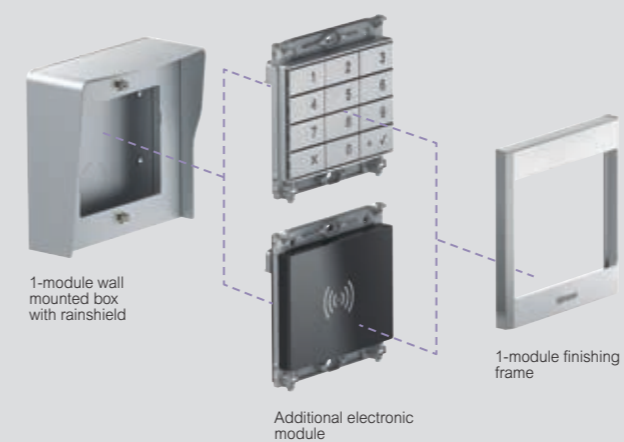
Keypad modules

345500 Aluminium	345510 Nickel

RFID Smart Access module

345520

Stand alone wall mounted installation of the additional modules



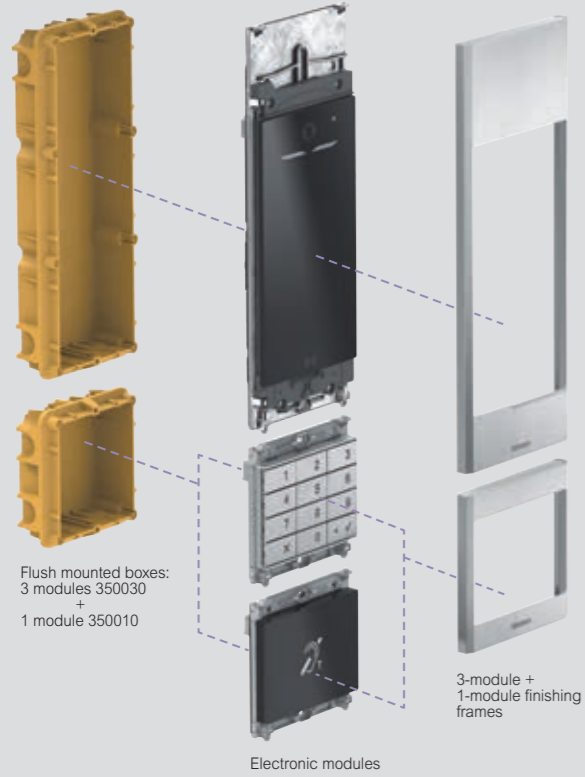
1-module wall mounted boxes with rainshield

345311 Aluminium	345312 Nickel

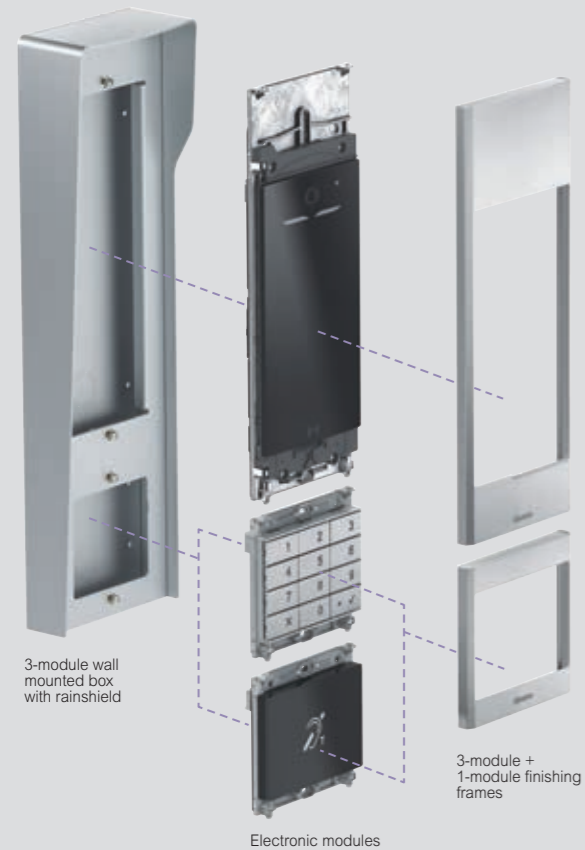
Linea 5000

Display module + additional module installation

Flush mounted installation (3 + 1)
of the display module + additional module

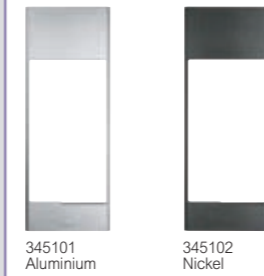


Wall mounted installation (3 + 1)
of the display module + additional module

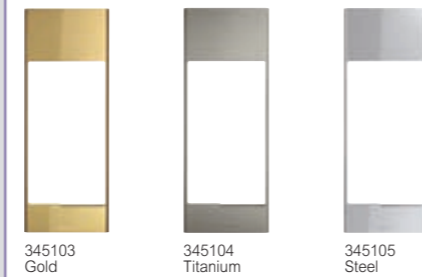


3-module finishing frames

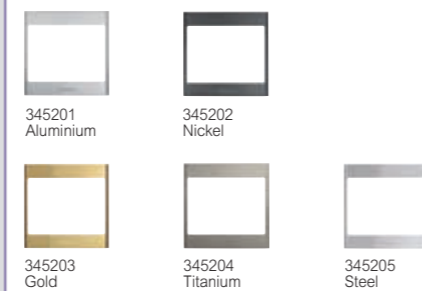
In the catalogue



Made to order

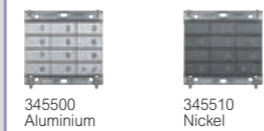


1-module finishing frames



Additional modules

Keypad modules



Inductive loop module



Wall mounted boxes with rainshield (3+ 1) modules



Linea 5000 - Catalogue

Display module and 3-module finishing frames



Item 345000 Display module

7" vertical display module with wide-angle HQ camera (5 M Pixels).

Display and audio/video module to be combined with one of the 5 frames in different finishes for the creation of 2 wires systems. Equipped with an HQ camera with wide-angle field of view (119° horizontal - 151° diagonal), white LEDs for lighting and twilight sensor for night vision. High-resolution 7" touch screen display with shatter-proof glass (IK08), anti-fingerprint and proximity sensor for automatic switching on. With a digital microphone and echo eliminator for optimal sound performance. The flexible and user-friendly graphic interface is adaptable to any type of apartment block and allows a choice of 3 different call modes: address book call (list of residents' names), numeric or alphanumeric code call and block-staircase-floor-apartment logic code call. The direct call to the guard station and the customisation of the homepage logos also make it suitable for solutions with concierge or for commercial establishments. With advanced features such as voice feedback, automatic theme change (light/dark), customisation of welcome messages or instructions and temporary access code forwarding, it is suitable for residents and visitors of all ages and abilities. It also supports different modes for accessing the building: lock release with display code, RFID badge or Bluetooth via the Home + Security App, the resident's app. Programming and configuration requires the use of Home + Project (App or PC), the digital tool for the professional. Using this tool, it is possible to complete the entire configuration at the office, share it with other professionals and upload it to the display module via Bluetooth. Changes to residents' names and access codes are quick and smart, either on-site (via Bluetooth) or remotely (if the module has an active WiFi or Ethernet connection). Installation with 3-module flush mounted box 350030 or with wall mounted box 345331 or 345332. The book-like opening of the module allows for easy wiring. It allows the activation of an electrical door lock directly connected to clamps S+ and S- (18 V 4 A impulsive - 250 mA holding current 30 Ohm max) and of connecting a local door lock release pushbutton on clamps PL.

MADE TO ORDER

Item 345101 Finishing frames - in the catalogue

345101 3-module frame – Aluminum finish
3-module frame in aluminum finish for display module 345000

345102 3-module frame – Nickel finish
As 345101 but with Nickel finish

Finishing frames - made to order

345103 3-module frame – Gold finish
3-module frame in Gold finish for display module 345000

345104 3-module frame – Titanium finish
As 345103 but with Titanium finish

345105 3-module frame – Steel finish
As 345103 but with Steel finish

Linea 5000 - Catalogue

Additional modules and 1-module finishing frames



Item Keypad modules

345500 Additional keypad module in Aluminum finish
Keypad module with aluminium key finish for door lock opening in 2-wire systems where there is at least one Linea 5000 display module (345000). The keypad module is fitted with relay contacts (C - NO - NC) and clamps (CP - P1) for the connection of a local door release pushbutton and can be programmed using the Home + Project app. It has a programming reset pushbutton, LEDs for the visual notification of the access status and night backlighting. The device, to be completed with an appropriate frame, can be used stand-alone or combined with a display module in a 3+1 composition. To be installed in 1-module flush mounted box 350010, in wall mounted box 345311 or with dedicated accessory 345341 for 3+1 composition.

345510 Additional keypad module in Nickel finish
As 345500 but with NICKEL finish

1-module finishing frames

345201 1-module frame – Aluminum finish
1-module frame in aluminium finish for electronic modules 345500 - 345510 - 345520 - 345530.

345202 1-module frame – Nickel finish
As 345201 but with Nickel finish

345203 1-module frame – Gold finish
As 345201 but with Gold finish

345204 1-module frame – Titanium finish
As 345201 but with Titanium finish

345205 1-module frame – Steel finish
As 345201 but with Steel finish

Item RFID Smart access module

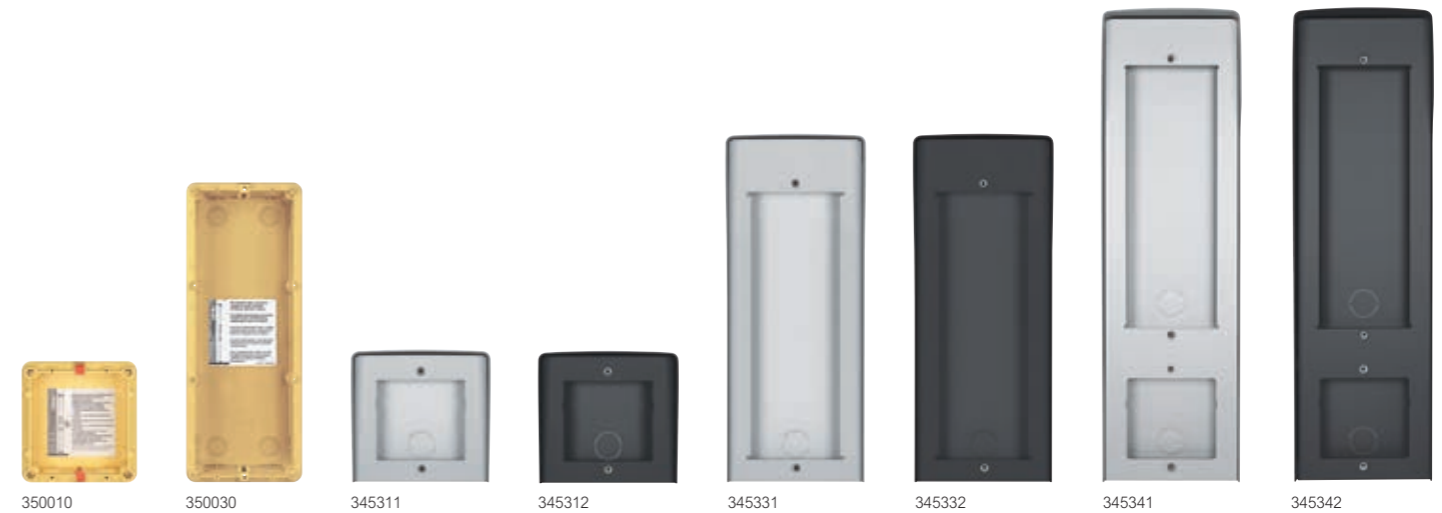
345520 Additional RFID Smart access module
RFID/bluetooth smart access module for door lock opening in 2-wire systems where there is at least one Linea 5000 display module (345000), using the badge or using the Home + Security App via bluetooth. The smart access module is fitted with relay contacts (C - NO - NC) and clamps (CP - P1) for the connection of a local door release pushbutton and can be programmed using the Home + Project app. It has a programming reset pushbutton, LEDs for the visual notification of the access status and night backlighting. The device, to be completed with an appropriate finishing frame, can be installed in 1-module flush mounted box 350010 or in wall mounted box 345311 or 345312.

Inductive loop module

345530 Additional Inductive loop module
Inductive loop module to be used in conjunction with the display module Linea 5000 (345000). It allows people wearing hearing aids fitted with (T) selector to use audio door entry communication. In this mode, the hearing aid receives the audio signal directly from the amplification system, bypassing the microphone of the hearing aid itself, improving audio quality and reducing background noise. It is connected to the display module using the appropriate multicable supplied. To be completed with the appropriate finishing frame (available in 5 finishes) The device CANNOT be used stand-alone but only as additional module in conjunction with the Linea 5000 display (345000). To be installed in 1-module flush mounted box 350010 or with the dedicated accessory 345341 or 345342 for 3+1 composition.

Linea 5000 - Catalogue

Accessories



Item XL accessory plates

345111 XL cover plate– Aluminium finish
XL accessory plate in aluminium finish used for the installation of Linea 5000 entrance panels in place of existing multi-pushbutton panels. The XL dimensions allow for easy replacement by covering the hole left by the existing plate, optimised for three 3-module boxes side by side.

345112 XL cover plate– Nickel finish
As 345111 but with Nickel finish

Accessory plates compatible with LINEA 300

345121 Accessory plate compatible with Linea 300 – Aluminium finish
Accessory plate in Aluminium finish compatible with the Linea 300 pushbutton panels. Used for the installation of Linea 5000 entrance panels in replacement of existing Linea 300 pushbutton panels. The specific dimensions allow easy installation of the Linea 5000 digital display module to replace an existing Linea 300 pushbutton panel.

345122 Accessory plate compatible with Linea 300 – Nickel finish
As 345121 but with Nickel finish

Item Flush mounted boxes

350010 Flush mounted box - 1 module
Plastic flush mounted box – 1 module

350030 Flush mounted box – 3 modules
Plastic flush mounted box – 3 modules

Wall mounted box with rainshield

345311 Wall mounted box – 1 module- Aluminium finish
Wall mounted box with integrated rainshield – 1 module – Aluminium finish.

345312 Wall mounted box – 1 module - Nickel finish
As 345311 but with Nickel finish

345331 Wall mounted box – 3 modules - Aluminium finish
Wall mounted box with integrated rainshield – 3 modules – Aluminium finish.

345332 Wall mounted box – 3 modules - Nickel finish
As 345331 but with Nickel finish

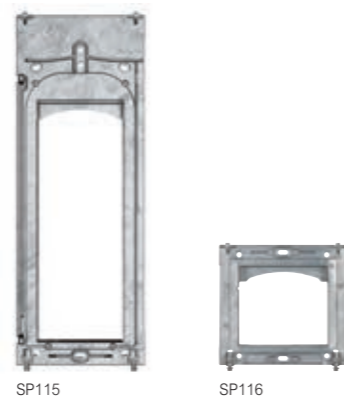
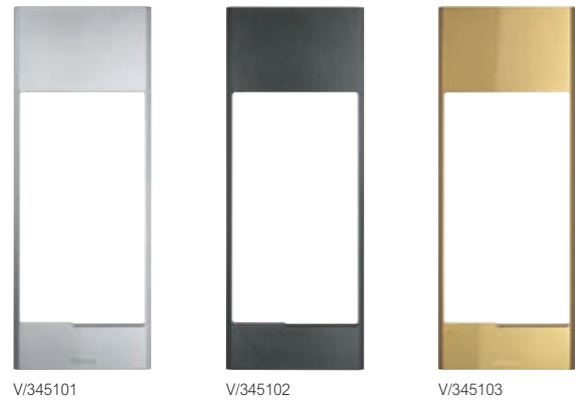
345341 Wall mounted box – 4 modules - Aluminium finish
Wall mounted box with integrated rainshield – (3+ 1) modules – Aluminium finish.

345342 Wall mounted box – 4 modules - Nickel finish
As 345341 but with Nickel finish

Linea 5000 - Catalogue

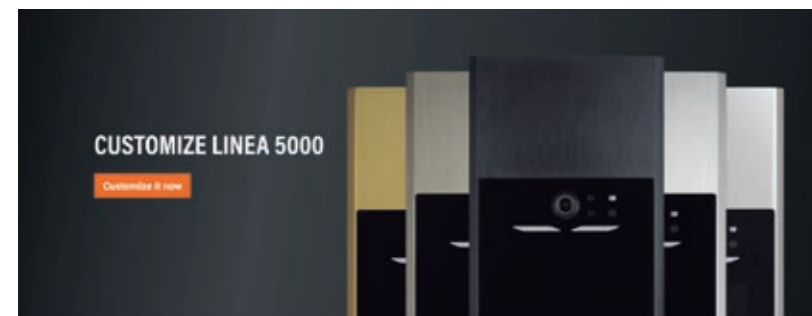
Customisable finishing frames

Spare parts



Item	Customisable 3-module finishing frames
V/345101	Customisable 3-module frame - Aluminum finish 3-module frame that can be customised with dedicated graphics and logos on request. Aluminium finish. Frame to complete the 345000 display module.
V/345102	Customisable 3-module frame - Nickel finish As V/345101 but with Nickel finish
V/345103	Customisable 3-module frame - Gold finish As V/345101 but with Gold finish
V/345104	Customisable 3-module frame - Titanium finish As V/345101 but with Titanium finish
V/345105	Customisable 3-module frame - Steel finish As V/345101 but with Steel finish

Item	3-module support frame
SP115	3-module support frame Spare part - 3-module aluminium support frame
SP116	1-module support frame Spare part - 1-module aluminium support frame



For the customisation of custom finishing frames with specific logos, text and graphics, use the online tool accessible through the **YouDiagram** software, the **video door entry system configurator** and the **www.bticino.com portal**.

Linea 5000 - Catalogue

Smart Access RFID programmable keycards

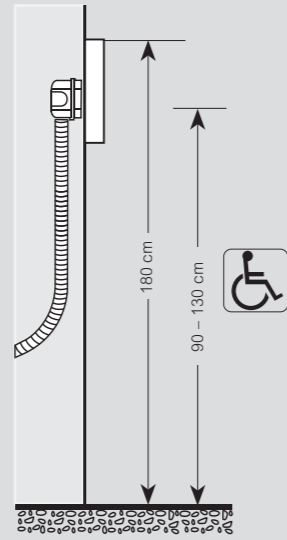
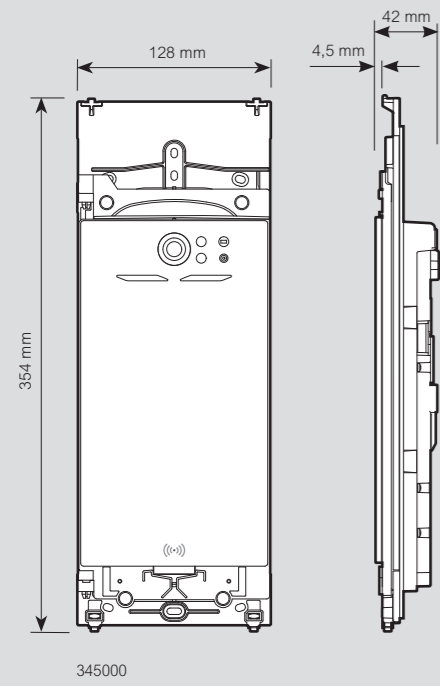


Item	RFID programmable keycards
348200	Door lock release keycard - black
348201	Door lock release keycard - red
348202	Door lock release keycard - green
348203	Door lock release keycard - blue
348204	Door lock release keycard - orange
348205	Door lock release keycard - grey
348206	Door lock release keycard - yellow

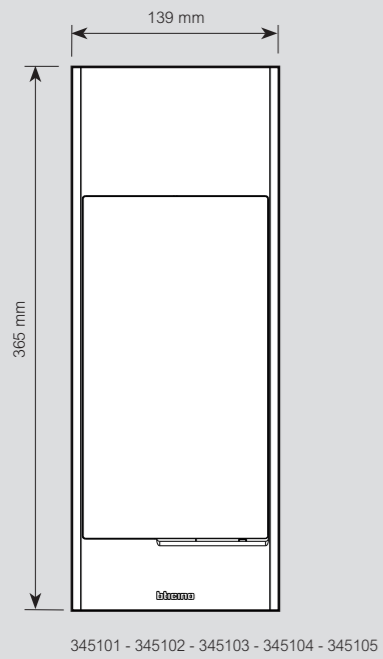


Dimensional data

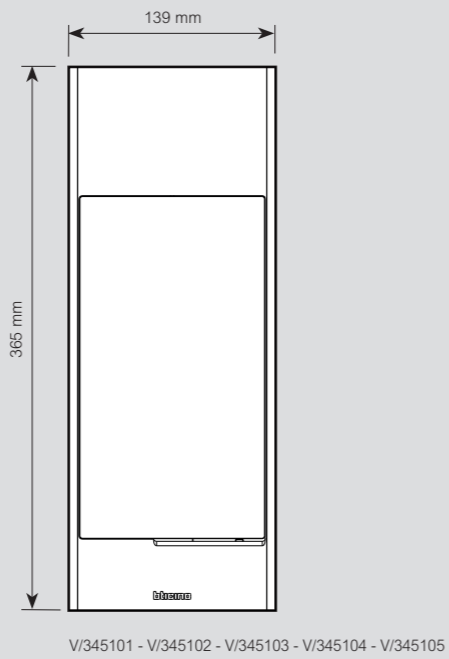
■ Display module with camera



■ STANDARD 3-module finishing frames

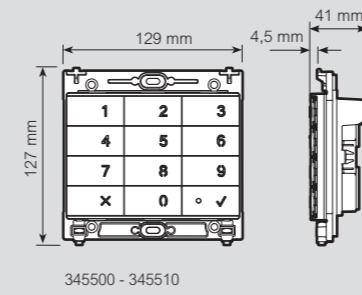


■ CUSTOMISABLE 3-module finishing frames

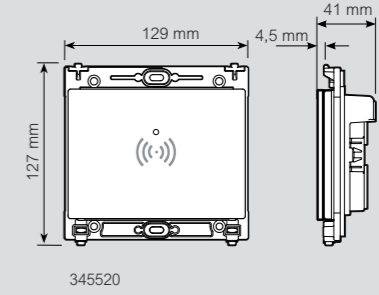


Dimensional data

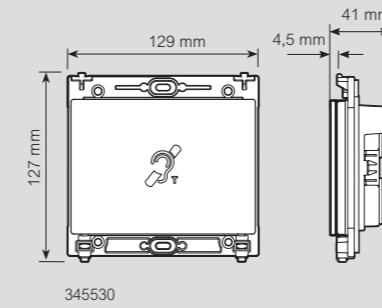
■ Additional keypad modules



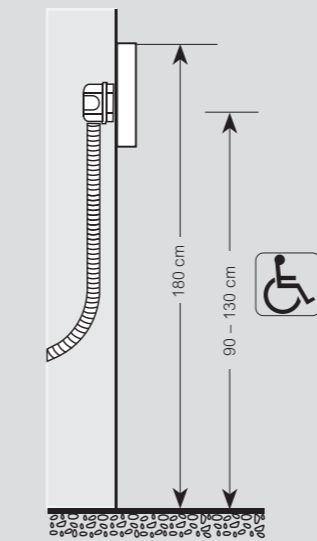
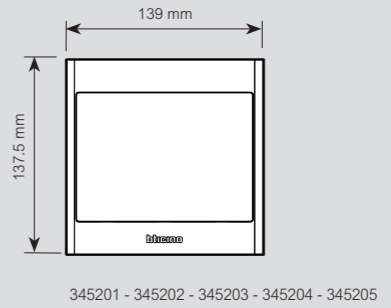
■ Additional RFID Smart Access module



■ Additional Inductive loop module

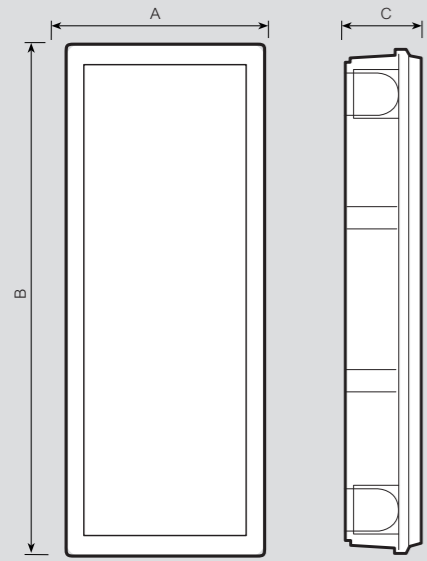


■ 1-module finishing frames



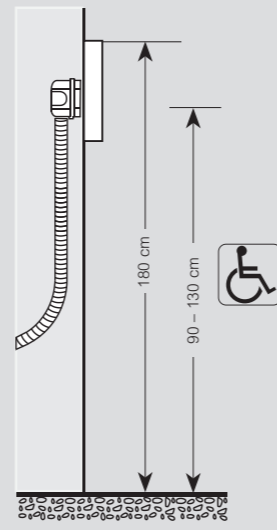
Dimensional data

1 and 3-module flush mounted boxes

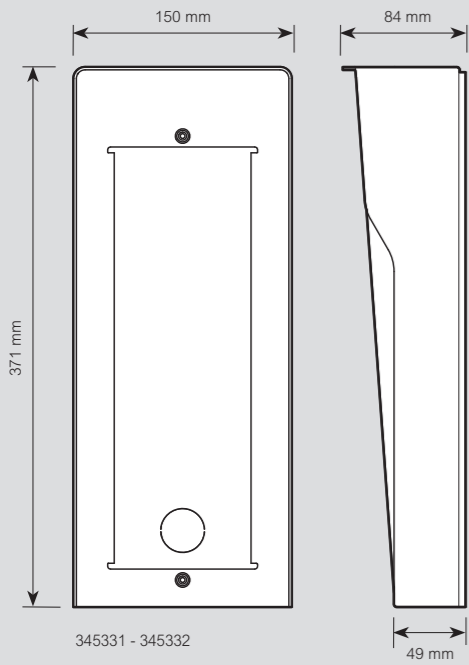


350010 - 350030

DIMENSIONS			
Item	A	B	C
350010	117	123	45
350030	117	306	45



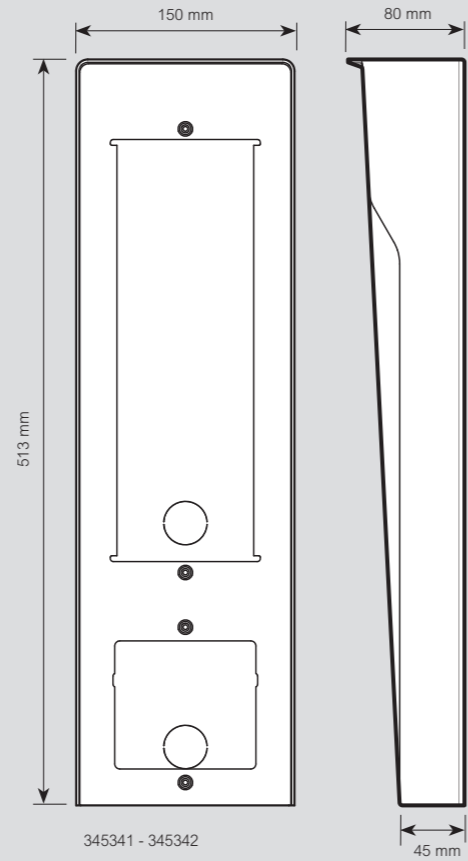
3-module wall mounted boxes



345331 - 345332

49 mm

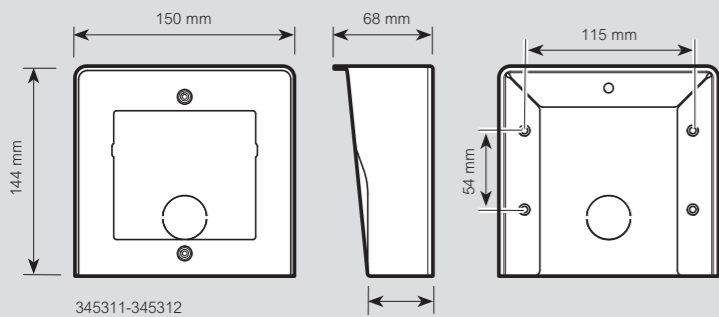
Wall mounted boxes - 3 + 1 modules



345341 - 345342

45 mm

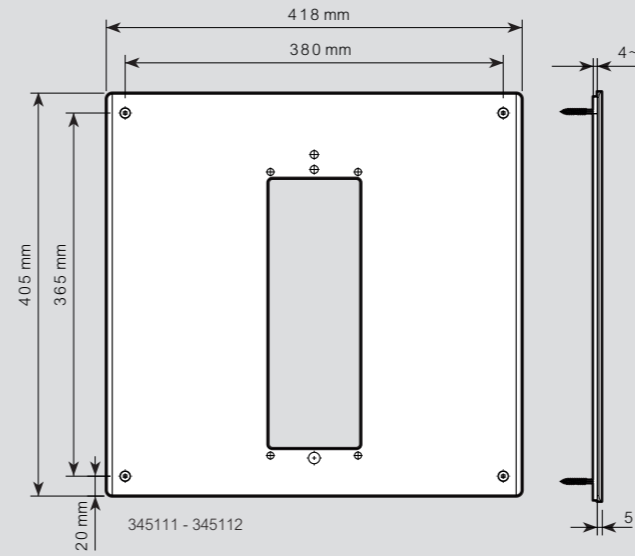
1-module wall mounted boxes



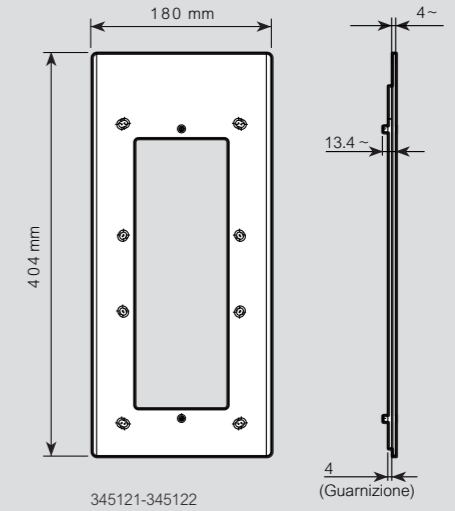
345311-345312

Dimensional data

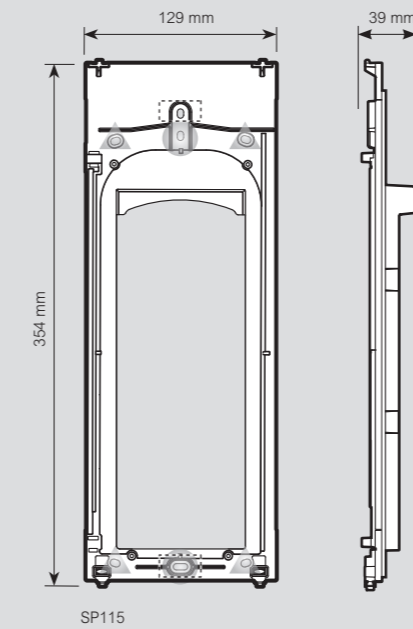
XL cover plates



Cover plates compatible with Linea 300

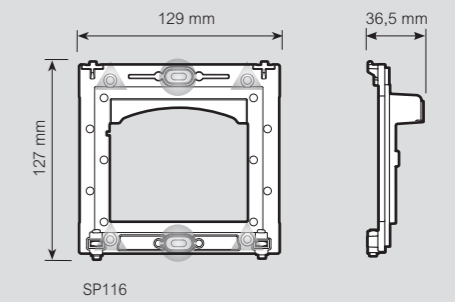


3-module support frame



SP115

1-module support frame



SP116

Linea 5000

Digital. Functional. Performing.



Online design, budgeting and customisation tools



YouDiagram

Software for the design and budgeting of BTicino audio and video door entry systems (2 wires, IP, 8 wires, analogue).

It gives the possibility of creating a single line diagram of the system, which can then be exported in PDF and DXF format, of selecting the products and their finishes, of configuring the devices and checking current consumptions.

Can be downloaded from: <https://www.bticino.com/tools/design-software/youdiagram>



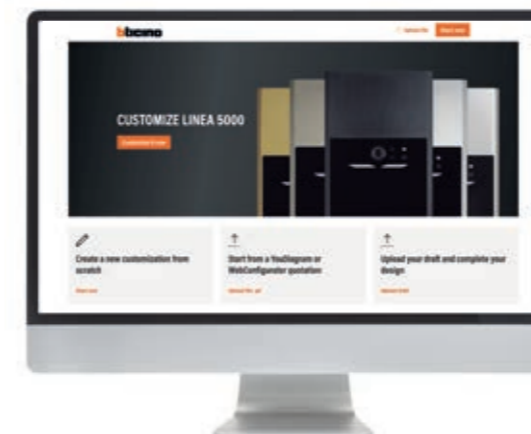
Video door entry system Configurator

Web app for the configuration and budgeting of audio and video door entry systems for villas and apartment blocks.

What it allows to do:

- 1. System creation**, depending on the type of system and the characteristics of the property.
- 2. Get an estimate**. At the end of the configuration, a detailed and complete list of materials is generated.
- 3. Access the project at any time**. Access the restricted area to view or modify the project.

Accessible from: <https://vdeconfigurator.bticino.com/>



Online tool for the customisation of the Linea 5000 finishing frames

Online application for the customisation of Linea 5000 finishing frames with specific text, logos and graphics.

After completing the online customisation process, the user can print a PDF file with a unique code.

The wholesaler receives the PDF file from the installer/commercial representative and sends it to BTicino together with the order. At BTicino, the order is processed as a "special order".

Accessible from: YouDiagram software

BTicino SpA
Viale Borri, 231
21100 Varese - Italy
www.bticino.com