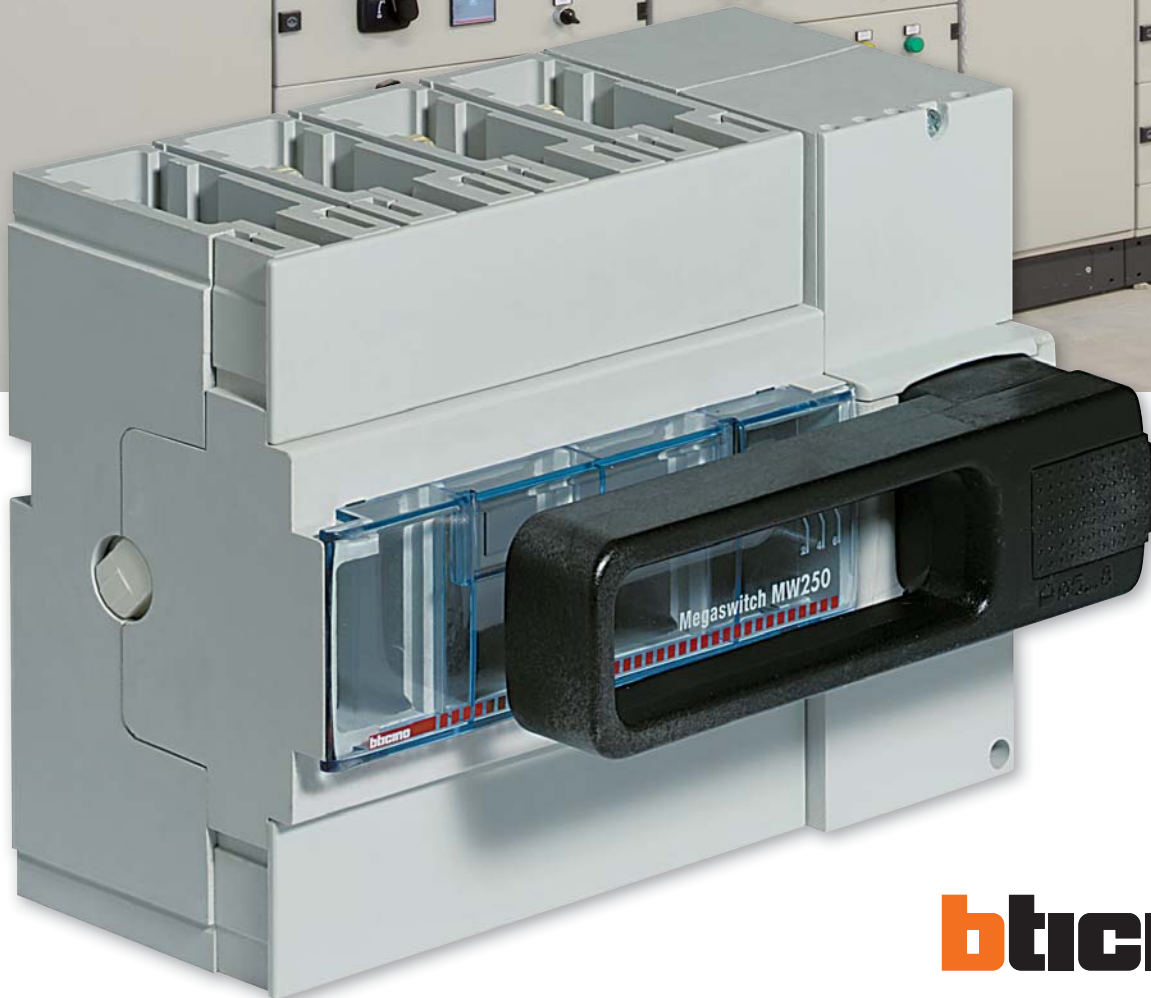


MEGASWITCH

Disconnectors



MW63 - MW160
Disconnectors for DIN35 rail



T7014WF/63



MW5A/1CS



T7134WF/...

Modular disconnectors for DIN35 rail installation
Ue = 690Vac - CEI EN 60947-3
AC23A utilization category (up to 500Vac)

Item code		MW63
3P	4P	In (A)
T7013WF/63	T7014WF/63	63

		MW160
3P	4P	In (A)
T7133WF/100	T7134WF/100	100
T7133WF/125	T7134WF/125	125
T7133WF/160	T7134WF/160	160

ELECTRICAL ACCESSORIES

Auxiliary and alarm contacts

MW5A/1CS	1NO/NC - 250Va.c. (with support)
MW5/1CS	1NO/NC - 250Va.c.

EMERGENCY ROTARY HANDLE

	IP index	Disconnecter
MW7006E	IP55	MW63-160

EXTENDED SHAFT ROTARY HANDLES KIT

	IP index	Disconnecter
MW7006	IP55	MW63-160

FEATURES		MW63	MW160		
Maximum section of connectable cable/busbar (mm ²)**	Cu flexible	35	50		
	Cu rigid	50	70		
	Al	50	70		
Rated voltage Ue (Vac)		690	690		
Rated insulation voltage Ui (Vac)		690	690		
Rated pulse withstand voltage Uimp (kV)		8	8		
Continuous rated current (A) at 40°C		63	100	160	250
Operating current Ie (A) in AC22A	400 Va.c.	63	100	125	160
	500 Va.c.	63	100	125	125
	690 Va.c.	40	100	125	125
Operating current Ie (A) in AC23A	400 Va.c.	63	100	125	160
	500 Va.c.	63	100	125	125
	690 Va.c.	40	100	125	125
Operating current Ie (A) in DC23A	250 Vd.c.*	-	100	125	125
Maximum fuse current gG (A)		63	100	125	160
Maximum fuse current aM (A)		63	63	125	125
Rated closing capacity Icm (kA) (peak value)		7	12	12	12
Short-time withstand current Icw (kA) for 1s		2,5	3,5	3,5	3,5
Conditioned short circuit current Icc (kA) (with fuse)		100	100	100	100
No. of mechanical operations		>30000			
No. of electrical operations (AC23-400Vac)		>30000			
Power consumption for each pole (W)		0,8	2	2,5	5
IP protection index		IP20		IP20	
Fixed disconnector size (LxHxD) (mm)	3P	160x91x91		133x91x91	
	4P	160x91x91		160x91x91	

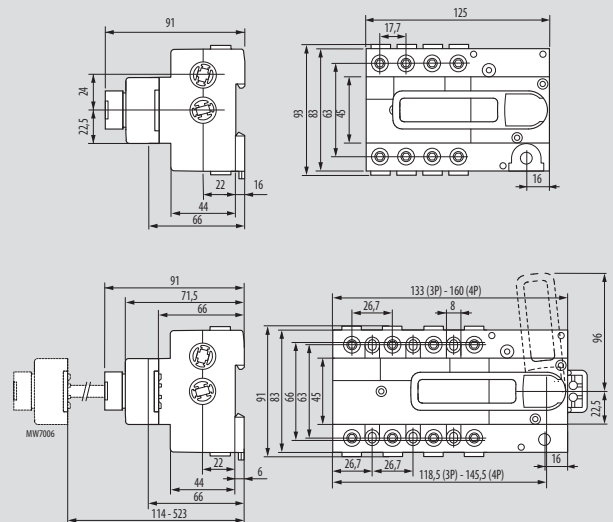
* 2 poles in series

** depending on the type of connection/terminal used

COMBINATION OF UPSTREAM CIRCUIT BREAKERS AND DOWNSTREAM DISCONNECTORS

	M1 160			M2 250			M160-250			M400-630			M630÷1250		
	E	B	N	B	F	H	A	H	L	A	H	L	A	H	L
MW63	16	25	50	25	36	70	36	50	50	36	50	50	36	36	36
MW160	-	-	-	25	36	70	36	50	50	36	50	50	36	36	36
MW250	-	-	-	-	-	-	36	50	50	36	50	50	36	36	36
MW630	-	-	-	-	-	-	-	-	-	36	50	70	50	70	70

DIMENSIONAL DATA



MW250 - MW630 - MW1600

Disconnectors for plate



T7234WF/...



T7814WF/...



T7414WF/...

Moulded case disconnectors for plate installation
 $U_e = 690\text{Vac}$ - CEI EN 60947-3
 AC23A utilization category (up to 500Vac)
 Standard version which can be fitted with accessories

Item code		MW250	STANDARD
3P	4P	In (A)	
T7233WF/160	T7234WF/160	160	
T7233WF/200	T7234WF/200	200	
T7233WF/250	T7234WF/250	250	

Item code		MW250	WITH RELEASE
3P	4P	In (A)	
T7233WF/160B	T7234WF/160B	160	
T7233WF/200B	T7234WF/200B	200	
T7233WF/250B	T7234WF/250B	250	

Item code		MW630	STANDARD
3P	4P	In (A)	
T7413WF/320	T7414WF/320	320	
T7413WF/400	T7414WF/400	400	
T7413WF/500	T7414WF/500	500	
T7413WF/630	T7414WF/630	630	

Item code		MW630	WITH RELEASE
3P	4P	In (A)	
T7413WF/320B	T7414WF/320B	320	
T7413WF/400B	T7414WF/400B	400	
T7413WF/500B	T7414WF/500B	500	
T7413WF/630B	T7414WF/630B	630	

Item code		MW1600	WITH RELEASE
3P	4P	In (A)	
T7813WF800B	T7814WF800B	800	
T7813WF1000B	T7814WF1000B	1000	
T7813WF1250B	T7814WF1250B	1250	
T7813WF1600B	T7814WF1600B	1600	

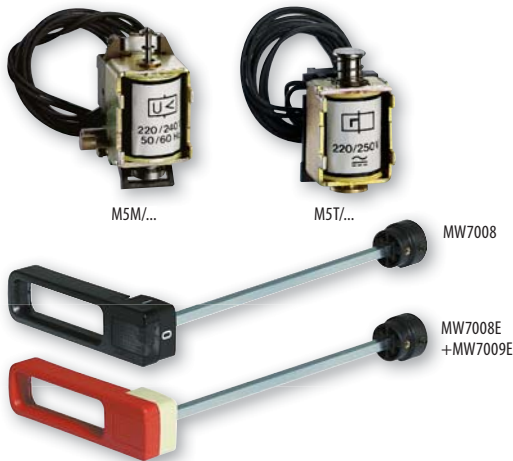
FEATURES	MW250			
Maximum section of connectable cable/busbar (mm ²) **	Cu flexible	150		
	Cu rigid	185		
	Al	185		
Busbar length (mm)	28			
Rated voltage U_e (Vac)	690			
Rated insulation voltage U_i (Vac)	690			
Rated pulse withstand voltage U_{imp} (kV)	8			
Continuous rated current (A) at 40°C		160	200	250
Operating current I_e (A) in AC23A	400 Va.c.	160	200	250
	690 Va.c.	160	160	160
Operating current I_e (A) in DC23A	250 Vd.c.*	160	200	250
Maximum fuse current gG (A)		160	200	250
Maximum fuse current aM (A)		160	200	250
Rated closing capacity I_{cm} (kA) (peak value)		24	24	24
Short-time withstand current I_{cw} (kA) for 1s		12	12	12
Conditioned short circuit current I_{cc} (kA) (with fuse)		100	100	100
No. of mechanical operations	25000			
No. of electrical operations (AC23-400Vac)	2500			
Power consumption for each pole (W)		5	7	12
IP protection index	IP20			
Fixed disconnector size (LxHxD) (mm)	3P-4P	195x138x114,4		

FEATURES	MW630				
Maximum section of connectable cable/busbar (mm ²) **	Cu flexible	1x240 or 2x185			
	Cu rigid	1x300 or 2x240			
	Al	1x300 or 2x240			
Busbar length (mm)	30				
Rated voltage U_e (Vac)	690				
Rated insulation voltage U_i (Vac)	690				
Rated pulse withstand voltage U_{imp} (kV)	8				
Continuous rated current (A) at 40°C		320	400	500	630
Operating current I_e (A) in AC23A	400 Va.c.	320	400	500	630
	690 Va.c.	320	400	500	630
Operating current I_e (A) in DC23A	250 Vd.c.*	320	400	500	630
Maximum fuse current gG (A)		320	400	500	630
Maximum fuse current aM (A)		320	400	500	630
Rated closing capacity I_{cm} (kA) (peak value)		24	24	24	24
Short-time withstand current I_{cw} (kA) for 1s		12	12	12	12
Conditioned short circuit current I_{cc} (kA) (with fuse)		100	100	100	100
No. of mechanical operations	15000				
No. of electrical operations (AC23-400Vac)	1500				
Power consumption for each pole (W)		8	13	20	32
IP protection index	IP20				
Fixed disconnector size (LxHxD) (mm)	3P-4P	265x200x143			

FEATURES	MW1600				
Maximum section of connectable cable/busbar (mm ²) **	Cu flexible	2x185 or 4x185			
	Cu rigid	2x240 or 4x240			
	Al	2x240 or 4x240			
Busbar length (mm)	50				
Rated voltage U_e (Vac)	690				
Rated insulation voltage U_i (Vac)	690				
Rated pulse withstand voltage U_{imp} (kV)	8				
Continuous rated current (A) at 40°C		800	1000	1250	1600
Operating current I_e (A) in AC23A	400 Va.c.	800	1000	1250	1600
	690 Va.c.	800	1000	1250	1600
Operating current I_e (A) in DC23A	250 Vd.c.*	800	1000	1250	1600
Maximum fuse current gG (A)		800	1000	1250	1600
Maximum fuse current aM (A)		800	1000	1250	1600
Rated closing capacity I_{cm} (kA) (peak value)		40	40	40	40
Short-time withstand current I_{cw} (kA) for 1s		20	20	20	20
Conditioned short circuit current I_{cc} (kA) (with fuse)		100	100	100	100
No. of mechanical operations	10000				
No. of electrical operations (AC23-400Vac)	2000				
Power consumption for each pole (W)		9,6	15	15,6	25,6
IP protection index	IP20				
Fixed disconnector size (LxHxD) (mm)	3P-4P	210x320x207			

* 2 poles in series
 ** depending on the type of connection/terminal used

ACCESSORIES FOR MW250-630-1600



Item code	AUXILIARY AND ALARM CONTACT
M5/1CS	1NO/NC - 250 Va.c.

SHUNT TRIPS	
M5T/024	24 Va.c./d.c.
M5T/048	48 Va.c./d.c.
M5T/110	110 Va.c.
M5T/220	230 Va.c.
M5T/380	400 Va.c.

UNDERVOLTAGE RELEASES FOR MW250-630	
M5M/024	24 Va.c.
M5M/024C	24 Vd.c.
M5M/048C	48Vd.c.
M5M/220	230 Va.c.
M5M/380	400 Va.c.

UNDERVOLTAGE RELEASES FOR MW1600	
M4M/024	24 Va.c.
M4M/024C	24 Vd.c.
M4M/048C	48Vd.c.
M4M/220	230 Va.c.
M4M/380	400 Va.c.

DELAYED UNDERVOLTAGE RELEASES	
	Disconnector
M5MEV	MW250-630
M4MEV	MW1600

EMERGENCY AND DELAY MODULES	
M7000E/024	Emergency module 24 Vac/dc
M7000MR/230	Delay module 230 Vac
M7000MR/400	Delay module 400 Vac

EMERGENCY HANDLE		
	IP index	Disconnector
MW7008E	IP55	MW250-630

EXTENDED SHAFT ROTARY HANDLES KIT		
	IP index	Disconnector
MW7008	IP55	MW250-630
MW7009E	IP55	MW250-630 (to be ordered together with the handle item MW7008E)



Item code	CAGE TERMINALS FOR ALUMINIUM AND COPPER CABLES		
	flexible cable (mm ²)	rigid cable (mm ²)	Disconnector
M7200	1x150	1x185	MW250
M7400	1x240	1x300	MW630
M7400/2	2x185	2x240	MW630
M7900/2	2x185	2x240	MW1600
M7900/4	4x185	4x240	MW1600

FRONT TERMINALS				
3P	4P	type	hole (mm)	Disconnector
MW7230/3	MW7230/4	extended offset	9	MW250
M7430/3	M7430/4	extended offset	14	MW630
M7940/3S	M7940/4S	extended offset	14	MW1600

FRONT EXTENDED TERMINALS			
	type	hole (mm)	Disconnector
M7430	extended	14	MW630
M7940/3	extended	14	MW1600

REAR TERMINALS				
3P	4P	type	hole (mm)	Disconnector
M7950	M7951	flat	14	MW1600
M7450/P	M7451/P	offset flat	14	MW630
M7960	M7961	offset flat	14	MW1600
M7240	M7241	stud offset	M10	MW250
M7450	M7451	stud offset	M12	MW630

MECHANICAL INTERLOCK	
MW7096N	interlock for fixed version MW250 to be fitted with accessories in the factory

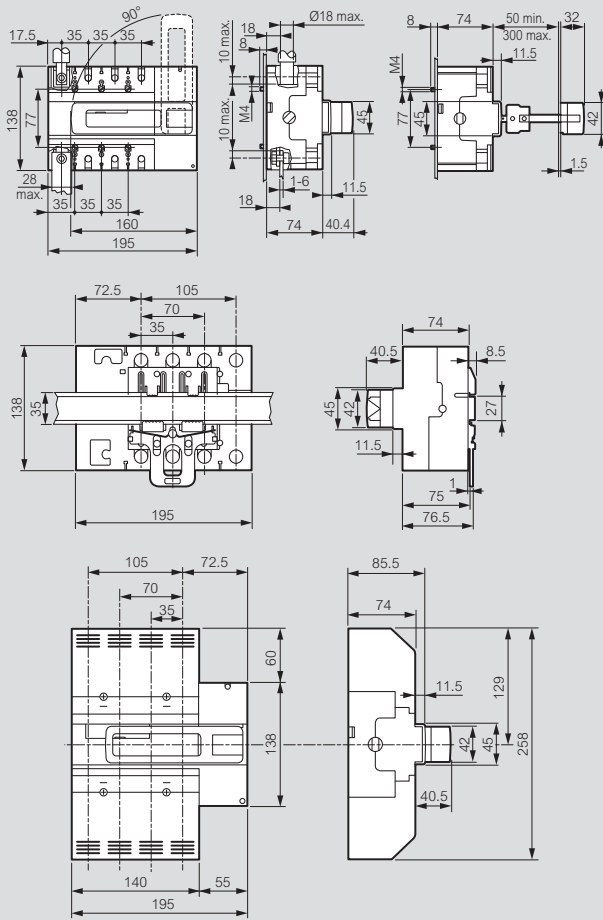
TERMINAL PROTECTION SHIELDS	
3P-4P	Disconnectors
MW7276	MW250
M7476	MW630
M7936	MW1600

KEYLOCKS		
	type	Disconnector
MW7096B	Eurolocks (it can be fitted with accessories only in the factor)	MW250
MW7196	Eurolocks	MW630
MW7197	Ronis	MW1600

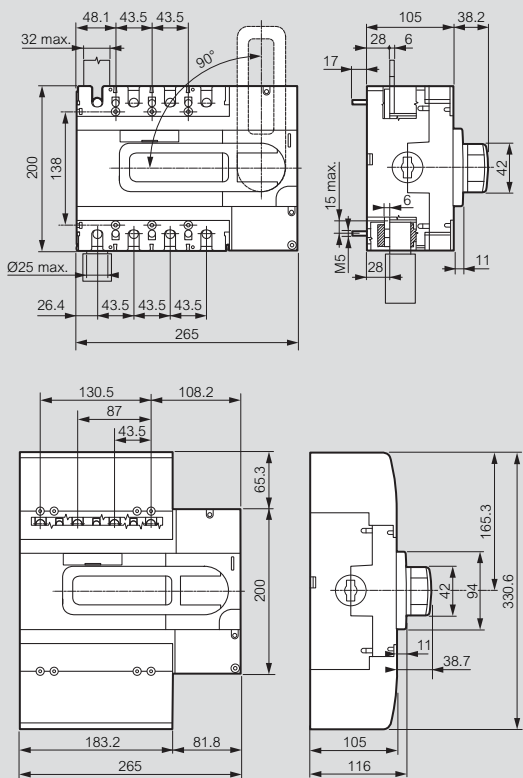
PLATES FOR DIN35 RAIL	
	type
MW7237	for MW250

DIMENSIONAL DATA

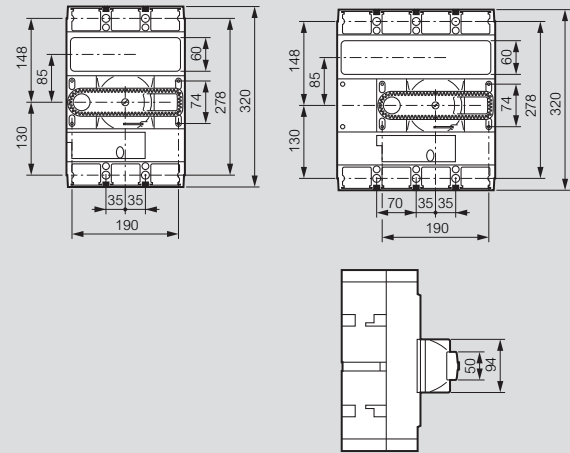
MW250



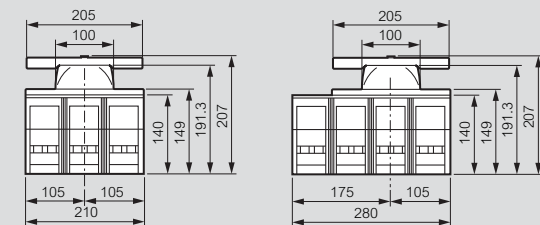
MW630



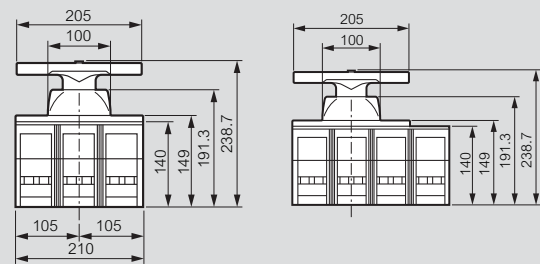
MW1600



Without operation extension

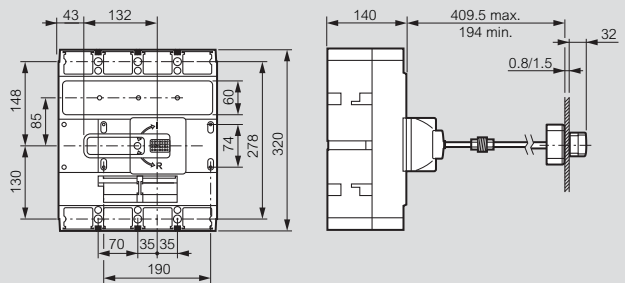


With operation extension

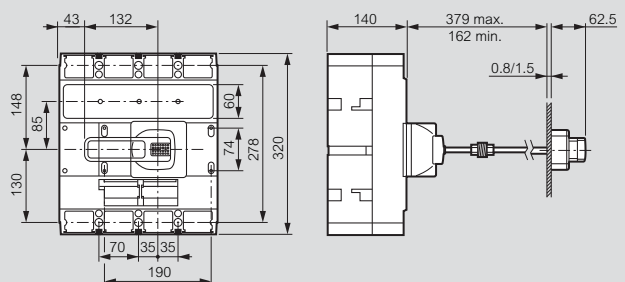


Vary-depth rotary handle

IP 40



IP 55



BTicino SpA
Viale Borri, 231
21100 Varese - Italia
www.bticino.com

bticino
A Group Brand |  **legrand**

In accordance with its policy of continuous improvement, the Company reserves the right to change specifications and designs without notice. All illustrations, descriptions, dimensions and weights in this catalogue are for guidance and cannot be held binding on the Company.

AD-EX-MW2016C - 07/2016