

# MAS800

A Group Brand |  legrand

## Cabinets for the energy distribution



**bticino**

# PLATES AND FRONT PANELS

## Table of choice

Circuit breaker	Version	Position	Configuration	Terminals	MAS800 WIDTH 600mm (24 MODULES)				
					Metal front panel				
					Plate/DIN35 rail	Height (mm)	1/4 turn ***	Screw	Lock
BTDIN					93600N	150	9529/24Q	9529/24	
						200	9531/24Q	9531/24	
						300	9533/24Q	9533/24	
M1-M2 interlocked		Vertical			9531PMEN	300	9533/24Q	9533/24	
M1-M2 interlocked with motor operator		Vertical			9531MID	300	9533/24Q	9533/24	
M1 160	fixed	horizontal		front	9541P160N**	150		9541ME160N	
M2 250	fixed	horizontal		front	9541P250N	200		9541ME250N	
MW63÷160*					93600N	200	9531/24Q	9531/24	-
						300	9533/24Q	9533/24	-
M160÷250	fixed	Vertical	without earth leakage	front	9531P/TN	400	9531/TNQ	9531/TN	-
			with earth leakage		9532P/TN	600	9532/TNQ	9532/TN	-
		horizontal	with or without earth leakage		9541P/02	200		9541/02	-
M4 630	fixed	Vertical	without earth leakage	front	9531P/TN	400	9531/TNQ	9531/TN	-
			with earth leakage		9532P/TN	600	9532/TNQ	9532/TN	-
		horizontal	with or without earth leakage		9541P/04	300		9541/04	-
M5 1600	fixed	Vertical	without earth leakage	front	9531P/12	400	-	9531/1TS	-
			2 Circuit breakers		-	-	-	-	-
		horizontal	without earth leakage		9531P/12	400	-	9541/12	-
MW250*	fixed	Vertical	1 MW central	front	9561P/W	300	9561/1WQ	9561/1W	-
			1 or 2 disconnectors		9561P/W	300	9561/2WQ	9561/2W	-
		horizontal		front	9591PMW2	300		9591MW2	
MW630*	fixed	Vertical	1 MW central	front	9561P/SW	300	9561/SWQ	9561/SW	-
		horizontal		front	9591PMW4	400		9591MW4	
MW1600*	fixed	Vertical	1 MW central	front	9531P/12	400	-	9561/SSW	-
		horizontal		front	9531P/12	400		9591MW12	

\* on LDX800 with IP protection index  $\geq 40$ , MEGASWITCH disconnectors can only be mounted using the curved door.

On MDX800 can be mounted using the flat door.

\*\* can also be used with panel 200mm

\*\*\* can be used for IPK value  $\leq 50\text{KA}$  and Icw value  $\leq 25\text{KA}$

MAS800 WIDTH 850mm (36 MODULES)				
Metal front panels				
Plate/DIN35 rail	Height (mm)	1/4 turn ***	Screw	
93800N	150	9779/36Q	9779/36	
	200	9780/36Q	9780/36	
	300	9783/36Q	9783/36	
9781PMEN	300	9783/36Q	9783/36	
9781MID	300	9783/36Q	9783/36	
9741P160N	150		9741ME160N	
9741P250N	200		9741ME250N	
93800N	200	9780/36Q	9780/36	
	300	9783/36Q	9783/36	
9781P/TN	400	9781/TNQ	9781/TN	
9782P/TN	600	9782/TNQ	9782/TN	
9741P/02	200	-	9741/02	
9781P/TN	400	9781/TNQ	9781/TN	
9782P/TN	600	9782/TNQ	9782/TN	
9741P/04	300	-	9741/04	
9781P/12	400	-	9781/1TS	
	400	-	9781/2TS	
9781P/12	400	-	9741/12	
9761P/W	300	9761/1WQ	9761/1W	
9761P/W	300	9761/2WQ	9761/2W	
9761P/SW	300	9761/SWQ	9761/SW	
9781P/12	400	-	9761/SSW	

# MAS 800

## Distribution boards cabinets and doors



93690/10



93390BE/10



93650



93690L/10



93650L

Item code	LDX800 DISTRIBUTION BOARDS				
	Height		Width		Depth (mm)
	External (mm)	Internal (mm)	External (mm)	Internal (mm)	
93650	1050	1000	660	600	251
93660	1250	1200	660	600	251
93850	1050	1000	910	850	251
93860	1250	1200	910	850	251

Item code	LDX800 CABINETS				
	Height		Width		Depth (mm)
	External (mm)	Internal (mm)	External (mm)	Internal (mm)	
93670	1550	1400	660	600	251
93680	1750	1600	660	600	251
93690	1950	1800	660	600	251
93690/10	2150	2000	660	600	251
93870	1550	1400	910	850	251
93880	1750	1600	910	850	251
93890	1950	1800	910	850	251
93890/10	2150	2000	910	850	251
External busbar compartment					
93470BE	1550	1400	460	400	251
93480BE	1750	1600	460	400	251
93490BE	1950	1800	460	400	251
93490BE/10	2150	2000	460	400	251
Additional plinth					
93410Z	100	100	460	400	230
93610Z	100	100	660	600	230
93810Z	100	100	910	850	230

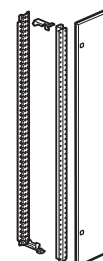
Item code	LDX800 CABINETS WITH DOUBLE DOOR				
	Height		Width		Depth (mm)
	External (mm)	Internal (mm)	External (mm)	Internal (mm)	
93670FPZ	1550	1400	660	600	251
93680FPZ	1750	1600	660	600	251
93690FPZ	1950	1800	660	600	251
93690FPZ/10	2150	2000	660	600	251
Corners for partial doors for floor cabinets					
93600APZ					600
Partial sides for distribution boards or cabinets					
93030FPZ					600
93040FPZ					800
93050FPZ					1000
93060FPZ					1200

Item code	CABLE ENTRY PLATES FOR LDX800	
	Width (mm)	Length (m)
93400PP	400	
93600PP	600	
93800PP	850	
93875	6	



Item code	LDX800 DOORS FOR DISTRIBUTION BOARDS AND CABINETS				
	Metal sheet	Glass	Curved glass	Height (mm)	Width (mm)
93650L	93650V	93650VB		1000	600
93660L	93660V	93660VB		1200	600
93670L	93670V	93670VB		1400	600
93680L	93680V	93680VB		1600	600
93690L	93690V	93690VB		1800	600
93690L/10	93690V/10	93690VB/10		2000	600
93850L	93850V	93850VB		1000	850
93860L	93860V	93860VB		1200	850
93870L	93870V	93870VB		1400	850
93880L	93880V	93880VB		1600	850
93890L	93890V	93890VB		1800	850
93890L/10	93890V/10	93890VB/10		2000	850
Door for external busbar compartment					
93470L					400
93480L					400
93490L					400
93490L/10					400
Panel for external busbar compartment					
93470P					400
93480P					400
93490P					400
93490P/10					400

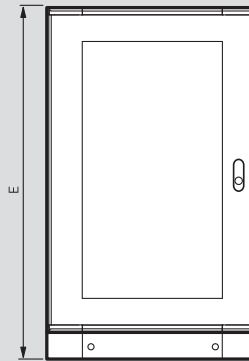
Item code	LDX800 KIT FOR INTERNAL BUSBAR COMPARTMENT WITH CLOSING PANEL		
	Height (mm)	Width (mm)	Depth (mm)
93050B	1000	250	230
93060B	1200	250	230
93070B	1400	250	230
93080B	1600	250	230
93090B	1800	250	230
93090B/10	2000	250	230



NOTE: only for 850 mm wide cabinets

# TECHNICAL FEATURES LDX800

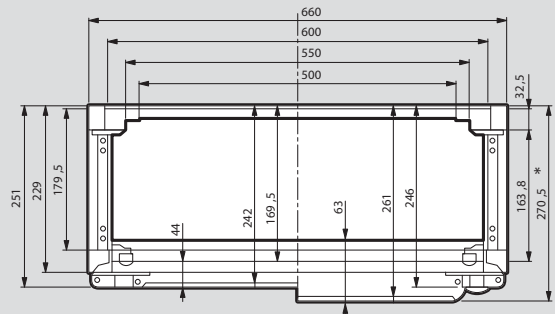
Reference standard	IEC EN 61439-1/2
Type of manufacture material	galvanised steel
Thickness (mm)	1,5
Colour	grey RAL 7035
Protection index	IP30 without door
	IP40 with door
Maximum rated current of the circuit breaker that can be installed In (A)	800
	Maximum peak current Ipk (limited)* (kA)
Conditioned short circuit current Icc (kA)	50
Resistance to abrasion every 50 passages of the abrasive shoe (mm)	1
Heat resistance for hardened epoxy film (°C)	150
Max resistance to separation around an incision of the film after 100 hours in saline mist (mm)	1÷2
Relative dielectric constant (measured at 10 <sup>3</sup> Hz)	3.5÷4.5
Dielectric strength at 20° C (kV/mm)	38,5
Dielectric strength at 160° C (kV/mm)	20,6
Painting of the enclosures surfaces	epoxy polyester powder
Treatment of surfaces, supports, fasteners	passivated galvanising
Distance between glass and front panels(mm)	43 flat door / 62 curved door (43 flat door for MDX only)
Useful internal depth (plate/panel) (mm)	149



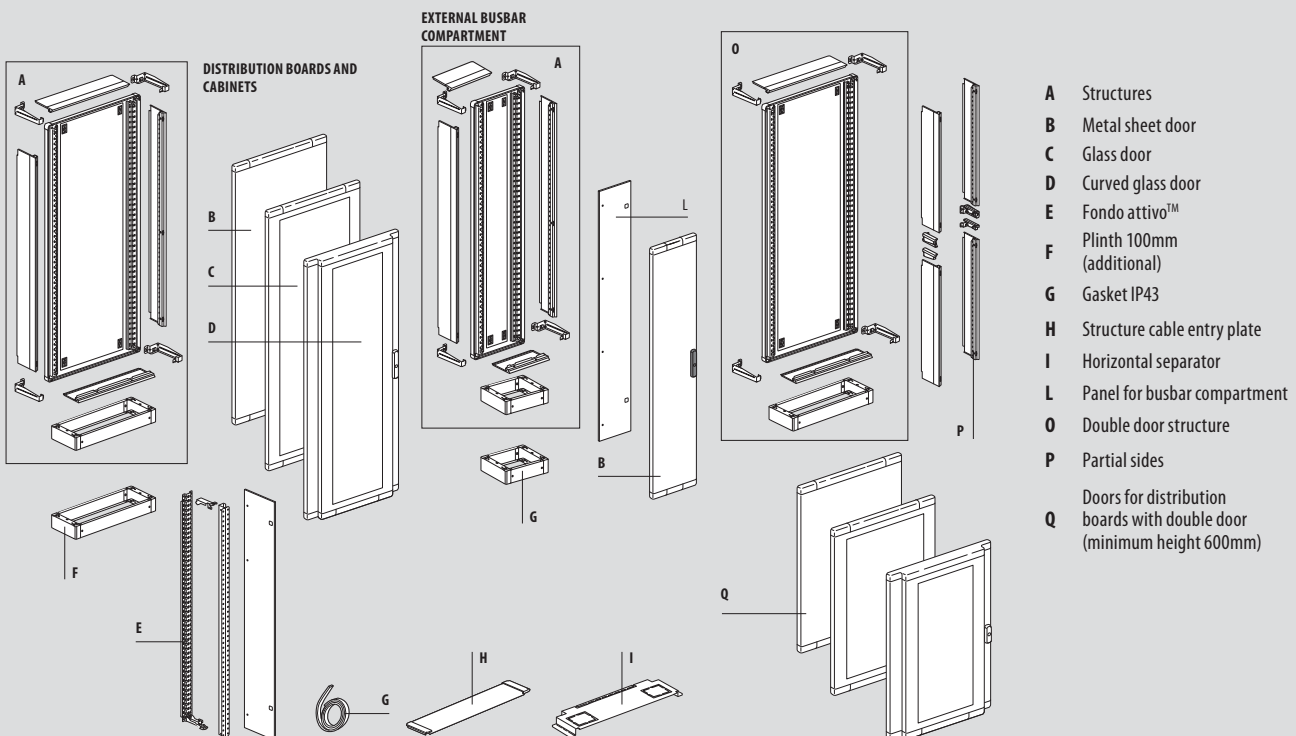
	Modular dimensions (LxAxP) (mm)	E
Distribution boards	600x1000x230	1050
	600x1200x230	1250
	850x1000x230	1050
	850x1200x230	1250
Cabinets (height including plinth)	400x1400x230	1550
	400x1600x230	1550
	400x1800x230	1950
	400x2000x230	2150
	600x1400x230	1550
	600x1600x230	1750
	600x1800x230	1950
	600x2000x230	2150
	850x1400x230	1550
	850x1600x230	1750
850x1800x230	1950	
850x2000x230	2150	

Cabinet width (mm)	Dimensions (mm)			
	A	B	C	D
400	460	400	350	300
600	660	600	550	500
850	910	850	800	750

\* only for 600 and 850



\* these values refer to a short circuit opened by a circuit breaker installed inside the container itself



# MAS 800

## Distribution boards, cabinets and doors



92693/10



92490BE/10



92853



92690L/10



92650L

Item code

**MDX800 DISTRIBUTION BOARDS IP55**

	Height		Width		Depth (mm)
	External (mm)	Internal (mm)	External (mm)	Internal (mm)	
92653	1100	1000	705	600	249
92663	1300	1200	705	600	249
92853	1100	1000	955	850	249
92863	1300	1200	955	850	249

**MDX800 CABINETS IP55**

	Height		Width		Depth (mm)
	External (mm)	Internal (mm)	External (mm)	Internal (mm)	
92673	1600	1400	705	600	249
92683	1800	1600	705	600	249
92693	2000	1800	705	600	249
92693/10	2200	2000	705	600	249
92873	1600	1400	955	850	249
92883	1800	1600	955	850	249
92893	2000	1800	955	850	249
92893/10	2200	2000	955	850	249
External busbar compartment					
92470BE	1600	1400	505	400	249
92480BE	1800	1600	505	400	249
92490BE	2000	1800	505	400	249
92490BE/10	2200	2000	505	400	249
Additional plinth					
92410Z	100	100	460	400	230
92610Z	100	100	660	600	230
92810Z	100	100	910	850	230

**FULL METAL SHEET SIDE PANELS**

	Height (mm)	Internal (mm)	Depth (mm)
92050C	1100	1000	249
92060C	1300	1200	249
92070C	1600	1400	249
92080C	1800	1600	249
92090C	2000	1800	249
92090C/10	2200	2000	249

**METAL SHEET SIDE PANELS FOR VENTILATION**

	Height (mm)	Internal (mm)	Depth (mm)
92050W	1100	1000	249
92060W	1300	1200	249
92070W	1600	1400	249
92080W	1800	1600	249
92090W	2000	1800	249
92090W/10	2200	2000	249

**MDX800 DOORS FOR DISTRIBUTION BOARDS AND CABINETS**

Item code

Metal sheet	Glass	Height (mm)	Width (mm)
92650L	92650V	1000	600
92660L	92660V	1200	600
92670L	92670V	1400	600
92680L	92680V	1600	600
92690L	92690V	1800	600
92690L/10	92690V/10	2000	600
92850L	92850V	1000	850
92860L	92860V	1200	850
92870L	92870V	1400	850
92880L	92880V	1600	850
92890L	92890V	1800	850
92890L/10	92890V/10	2000	850
Door for external busbar compartment			
92470L		1400	400
92480L		1600	400
92490L		1800	400
92490L/10		2000	400

**MDX800 KIT FOR INTERNAL BUSBAR COMPARTMENT WITH CLOSING PANEL**

	Height (mm)	Width (mm)	Depth (mm)
93050B	1000	250	230
93060B	1200	250	230
93070B	1400	250	230
93080B	1600	250	230
93090B	1800	250	230
93090B/10	2000	250	230

NOTE: only for 850 mm wide cabinets

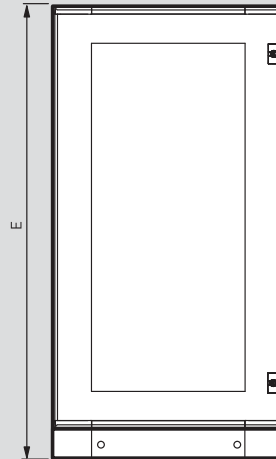
**SET OF FRONT RAILS FOR IP30 FINISH**

	Height (mm)	Width (mm)
92670P	1400	600
92680P	1600	600
92690P	1800	600
92690P/10	2000	600
92870P	1400	850
92880P	1600	850
92890P	1800	850
92890P/10	2000	850

# TECHNICAL FEATURES MDX800

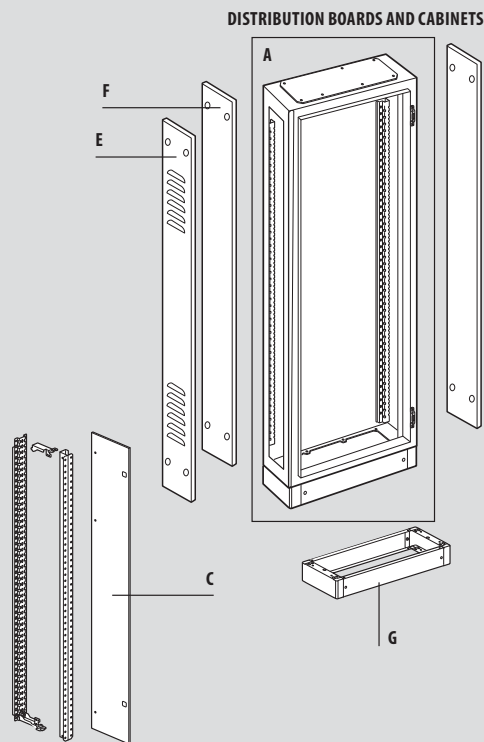
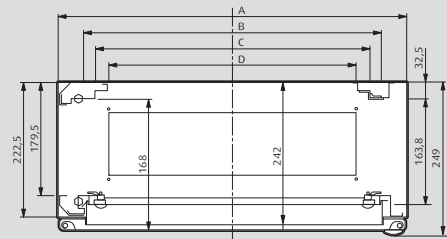
Reference standard	IEC EN 61439-1/2
Type of manufacture material	galvanised steel
Thickness (mm)	1,5
Colour	grey RAL 7035
Protection index	IP65 with full metal sheet side panels IP30 with side panels for ventilation
Maximum rated current of the circuit breaker that can be installed In (A)	800
Maximum peak current Ipk (limited)* (kA)	50
Conditioned short circuit current Icc (kA)	50
Resistance to abrasion every 50 passages of the abrasive shoe (mm)	1
Heat resistance for hardened epoxy film (°C)	150
Max resistance to separation around an incision of the film after 100 hours in saline mist (mm)	1÷2
Relative dielectric constant (measured at 10 <sup>3</sup> Hz)	3,5÷4,5
Dielectric strength at 20° C (kV/mm)	38,5
Dielectric strength at 160° C (kV/mm)	20,6
Painting of the enclosures surfaces	epoxy polyester powder
Treatment of surfaces, supports, fasteners	passivated galvanising
Distance between glass and front panels(mm)	42 flat door / 62 curved doord (42 flat door for MDX only)
Useful internal depth (plate/panel) (mm)	149

\* these values refer to a short circuit opened by a circuit breaker installed inside the container itself  
\*\* for internal use

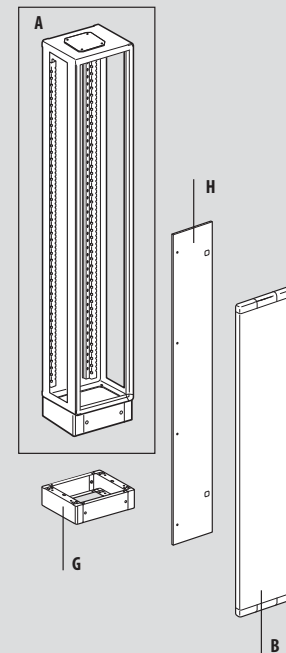


	Modular dimensions (LxAxP) (mm)	E
Distribution boards	600x1000x230	1095
	600x1200x230	1295
	850x1000x230	1095
	850x1200x230	1295
Cabinets (height including plinth)	400x1400x230	1595
	400x1600x230	1795
	400x1800x230	1995
	400x2000x230	2195
	600x1400x230	1595
	600x1600x230	1795
	600x1800x230	1995
	600x2000x230	2195
	850x1400x230	1595
	850x1600x230	1795
850x1800x230	1995	
850x2000x230	2195	

Cabinet width (mm)	Dimensions (mm)			
	A	B	C	D
400	505,4	400	325	300
600	705,4	600	525	500
850	955,4	850	775	750



### EXTERNAL BUSBAR COMPARTMENT



- A Structures
- B Metal sheet door
- C Glass door
- D Kit for busbar compartment
- E Metal sheet side panel for ventilation
- F Full metal sheet side panel
- G Plinth 100mm
- H Panel for busbar compartment
- I Set of front rails
- P Partial sides
- L Horizontal separator

# MAS 800

## Accessories of installation



92000M



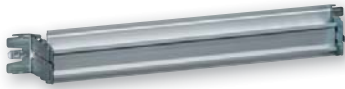
81835



9530KC



93000FM



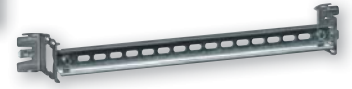
93600N



FEN7039



70000MO



70860N

Item code	DOOR HANDLES
91860S	handle with key for LDX, MDX e HDX
92860S	"T" handle for distribution boards MDX IP65
93860S	"T" handle for distribution boards LDX IP40

Item code	HORIZONTAL SEPARATOR
93600S	for distribution boards and cabinets width 600mm
93800S	for distribution boards and cabinets width 850mm

Item code	DIN35 RAILS
93600N	DIN35 rail - width 600 mm
93800N	DIN35 rail - width 850 mm
FEN7039	BT DIN - MEGATIKER depth adapter

Item code	SUPPORTS FOR TERMINAL BOARDS AND TRUNKINGS
70000MO	support for DIN32 and DIN35 rail terminal boards
92000M	support for trunkings and terminal boards
93000/6C	support for trunkings width 600 mm
93000/8C	support for trunkings width 850 mm

Item code	RAILS FOR DEVICE FASTENING	
	Width (mm)	Type
70860N	600	DIN35
70861N	850	DIN35
72860N	600	DIN32
72861N	850	DIN32

Item code	BLANKING MODULES FOR PANELS WITH DIN WINDOWS
E90FP	blanking module front cover for plastic panels (box of 24 DIN modules)
E80FP	blanking module front cover for plastic panels (box of 10 DIN modules)

Item code	CROSS-PIECES FOR FASTENING CABLES
93200TRO	Width 250mm to fasten horizontal cables
93400TRO	Width 400mm for external busbar compartment LDX400 and HDX
93600TRO	Width 600mm to fasten horizontal cables
93800TRO	Width 850mm to fasten horizontal cables

Item code	VARIOUS ACCESSORIES
9530KC	pair of hinges for panels with 4 screws
81835	M6 nut for internal fastenings on "U" rails
65010	threaded plates to fasten devices for DIN32 rails
93000RAL	RAL7035 grey paint for retouches
82000G	eyebolts to lift MDX800 cabinets (No. 2)

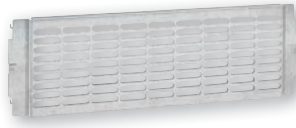
Item code	EARTH BUSBARS AND SUPPORTS
78860N/6N	earth busbar width 600 mm
78860N/8N	earth busbar width 850 mm
78860/PL	insulated support for earth busbars (for LDX-P distribution boards)

Item code	FASTENING AND SIDE-BY-SIDE MOUNTING ACCESSORIES
93000FM	kit to fasten LDX800 distribution boards to the wall
93000FMPL	kit to fasten LDX-P distribution boards to the wall
93000AFRP	reinforcement kit for side-by-side mounting of LDX-P distribution boards
93000AFP	kit for side-by-side mounting of LDX distribution boards and cabinets
81875	gasket for side-by-side mounting of MDX800 cabinets - length 20 m
82000A	kit for side-by-side mounting of MDX800 distribution boards and cabinets (No. 2 for H1000/1200, No. 3 for H 1400/1600, No. 4 for H1800/2000)



# MAS 800

## Plates, blank panels and panels for ventilation



68860N



9527PL



9531

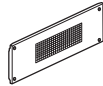
### BLANK FRONT PANELS

Item code	1/4 turn	Screw	Lock	Height (mm)	Width (mm)
9527PL*				50	600
9529PL*				150	600
9530PL*				200	600
9527Q	9527			50	600
9528Q	9528			100	600
9529Q	9529			150	600
9530Q	9530	9530CS		200	600
9533Q	9533N	9533CS		300	600
9531Q	9531	9531CS		400	600
9532Q	9532	9532CS		600	600
9777Q	9777			50	850
9778Q	9778			100	850
9779Q	9779			150	850
9780Q	9780			200	850
9783Q	9783			300	850
9781Q	9781			400	850
9782Q	9782			600	850

\* Plastic

### FRONT PANELS FOR NATURAL VENTILATION

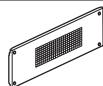
Screw	Height (mm)	Width (mm)
9530A	200	600
9780A	200	850



### FRONT PANELS FOR FORCED VENTILATION

With motor operator 220/240V - 50 Hz - 18VA - 160 m<sup>3</sup>/h

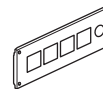
Screw	Height (mm)	Width (mm)
9530AV	200	600
9780AV	200	850



### FRONT PANELS FOR METERING INSTRUMENTS (96X96 mm)

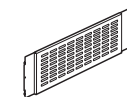
For three ammeters, a voltmeter and a voltmeter selector switch.

Item code	Height (mm)	Width (mm)
9530SNC	200	600
9780SNC	200	850



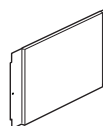
### SLOTTED PLATES

Item code	Height (mm)	Width (mm)
68860N	200	600
68868N	200	850
68864N	400	600



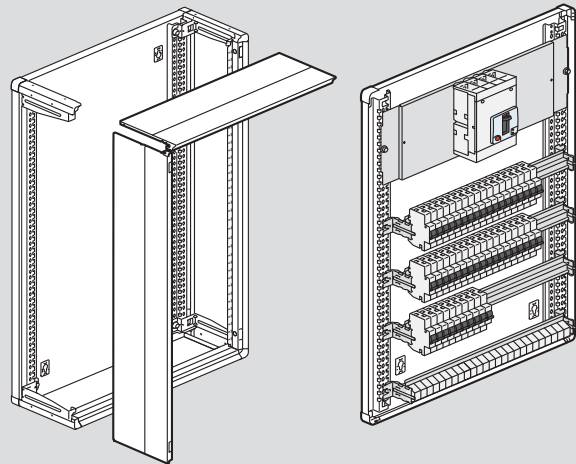
### METAL SHEET INTERNAL PLATES

Item code	Height (mm)	Width (mm)
9540L	200	600
9545L	400	600
9546L	600	600
9554L	1000	850
9543L	400	850
9544L	600	850
9556L	1000	600

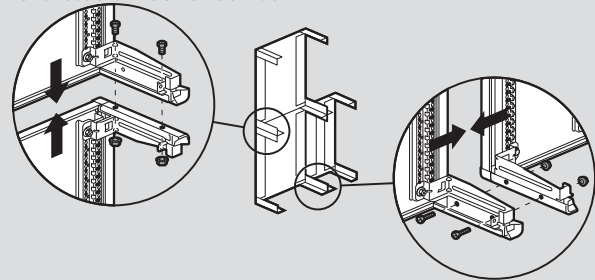


## LDX800 AND MDX800 STRUCTURE COMPOSITION AND SIDE-BY-SIDE MOUNTING

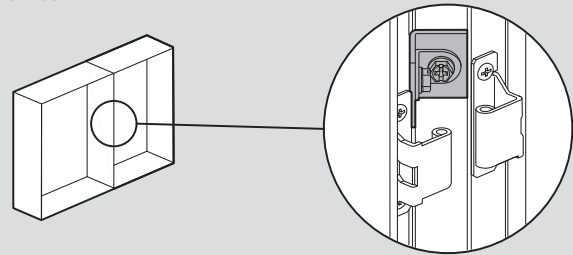
### LDX800 PLUG-IN SIDES



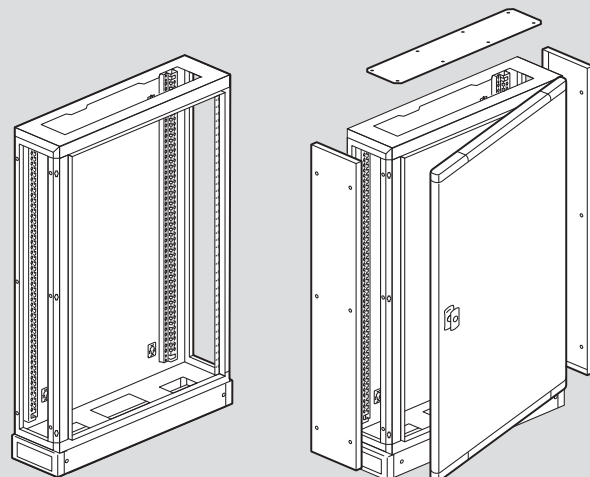
### VERTICAL AND HORIZONTAL SIDE-BY-SIDE MOUNTING OF TWO LDX800 DISTRIBUTION BOARDS



### HORIZONTAL SIDE-BY-SIDE MOUNTING OF TWO MDX800 DISTRIBUTION BOARDS



### LDX800 CLOSING PANELS WITH IP55 PROTECTION INDEX



# MAS 800

## Panels and plates for fixed version with FRONT terminals - VERTICAL version



Item code		INSTALLATION ON DIN35 RAIL			
Circuit breakers	LxA (mm)	DIN rail	Panel 1/4 turn	Panel with screw	Plastic panel
<b>BT DIN</b>	600x150	<b>93600NC</b>	<b>9529/24Q</b>	<b>9529/24</b>	<b>9529/24PL</b>
	600x200		<b>9531/24Q</b>	<b>9531/24</b>	<b>9531/24PL</b>
	600x300		<b>9533/24Q</b>	<b>9533/24</b>	<b>9533/24PL</b>
	850x150		<b>9779/36Q</b>	<b>9779/36</b>	-
	850x200		<b>93800NC</b>	<b>9780/36Q</b>	<b>9780/36</b>
<b>M1 160-M2 250</b>	600x300	<b>9531PMEN</b>	<b>9533/24Q</b>	<b>9533/24</b>	<b>9533/24PL</b>
	850x300	<b>9781PMEN</b>	<b>9783/36Q</b>	<b>9783/36</b>	-
<b>MW63÷160*</b>	600x200	<b>93600NC</b>	<b>9531/24Q</b>	<b>9531/24</b>	<b>9531/24PL</b>
	600x300	<b>93600NC</b>	<b>9533/24Q</b>	<b>9533/24</b>	<b>9533/24PL</b>
	850x200	<b>93800NC</b>	<b>9780/36Q</b>	<b>9780/36</b>	-
	850x300	<b>93800NC</b>	<b>9783/36Q</b>	<b>9783/36</b>	-

\* on LDX800 and LDX-P with IP40/41 protection index, can only be mounted using the curved doors. There are no limitations for MDX800.

INSTALLATION OF MEGATIKER M160-1600					
Circuit breakers	LxA (mm)	Plate	Panel 1/4 turn	Panel with screw	N. max circuit breakers
<b>M160÷250E</b>	600x400	<b>9531PC/TN</b>	<b>9531/TNQ</b>	<b>9531/TN</b>	3
	850x400	<b>9781PC/TN</b>	<b>9781/TNQ</b>	<b>9781/TN</b>	3
<b>M4 630</b>	600x400	<b>9531PC/TN</b>	<b>9531/TNQ</b>	<b>9531/TN</b>	2
	850x400	<b>9781PC/TN</b>	<b>9781/TNQ</b>	<b>9781/TN</b>	2
<b>M5 1600</b>	600x400	<b>9531P/12</b>	-	<b>9531/1TS</b>	1
	850x400	<b>9781P/12</b>	-	<b>9781/1TS</b>	1
	850x400	<b>9781P/12</b>	-	<b>9781/2TS*</b>	2

\* 2 Circuit breakers

### INSTALLATION OF MEGATIKER M160-630 WITH EARTH LEAKAGE

The sheet panels have laser-cut cut outs to adapt them to the mounting of up to three moulded case circuit breakers (depending on the size)

Circuit breakers	LxA (mm)	Plate	Panel 1/4 turn	Panel with screw	N. max circuit breakers
<b>M160÷250E + G160-250</b>	600x600	<b>9532P/TN</b>	<b>9532/TNQ</b>	<b>9532/TN</b>	3
	850x600	<b>9782P/TN</b>	<b>9782/TNQ</b>	<b>9782/TN</b>	3
<b>M4 630 + G400-630</b>	600x600	<b>9532P/TN</b>	<b>9532/TNQ</b>	<b>9532/TN</b>	2
	850x600	<b>9782P/TN</b>	<b>9782/TNQ</b>	<b>9782/TN</b>	3

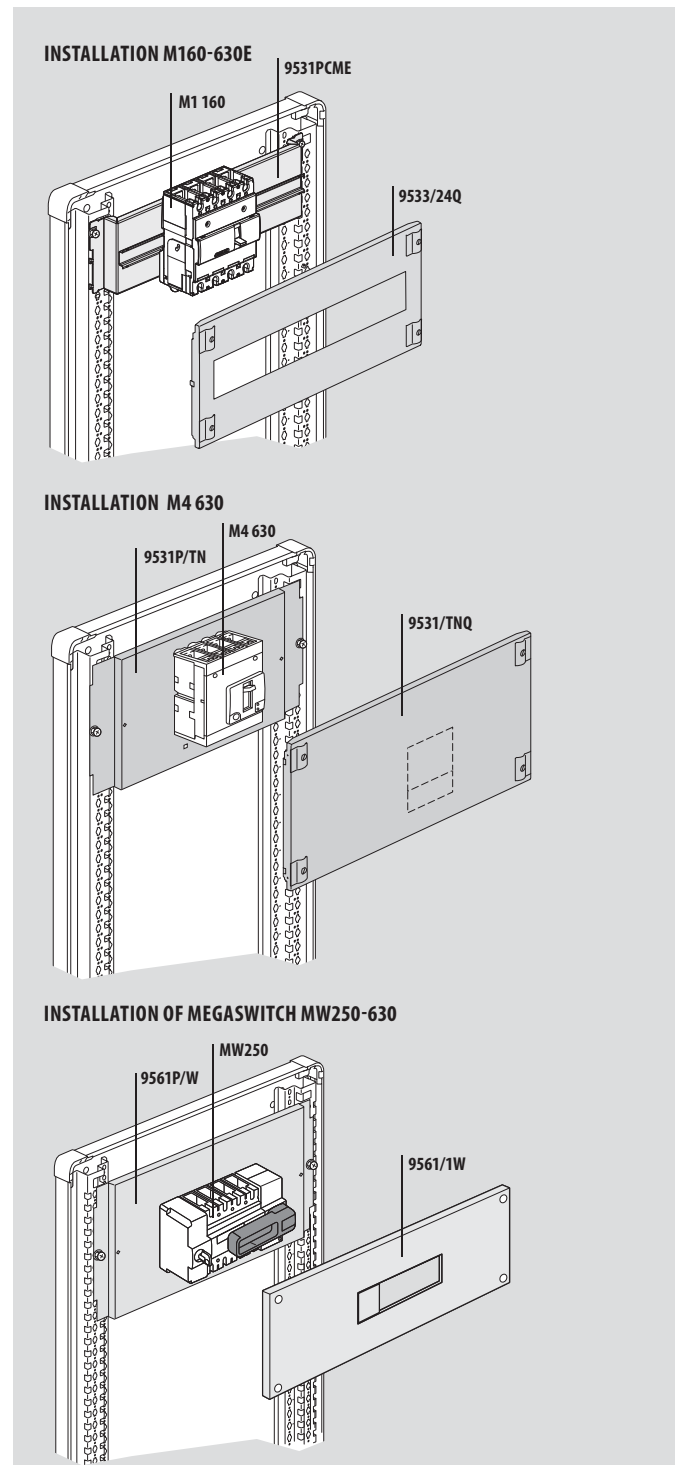
### INSTALLATION OF MEGASWITCH DISCONNECTORS

Circuit breakers	LxA (mm)	Plate	Panel 1/4 turn	Panel with screw	N. MEGASWITCH
<b>MW250*</b>	600x300	<b>9561P/W</b>	<b>9561/1WQ</b>	<b>9561/1W</b>	1
	600x300		<b>9561/2WQ</b>	<b>9561/2W</b>	1 or 2
	850x400	<b>9761P/W</b>	<b>9561/1WQ</b>	<b>9761/1W</b>	1
	850x400		<b>9761/2WQ</b>	<b>9761/2W</b>	1
<b>MW630*</b>	600x300	<b>9561P/SW</b>	<b>9561/SWQ</b>	<b>9561/SW</b>	1
	850x300	<b>9761P/SW</b>	<b>9761/SWQ</b>	<b>9761/SW</b>	1
<b>MW1600*</b>	600x400	<b>9531P/12</b>	-	<b>9561/SSW</b>	1
	850x400	<b>9781P/12</b>	-	<b>9761/SSW</b>	1

\* on LDX800 and LDX-P with IP40/41 protection index, can only be mounted using the curved doors. There are no limitations for MDX800

Item code		INSTALLATION OF MEGATIKER INTERLOCKED			
Circuit breakers	LxA (mm)	DIN rail	Panel 1/4 turn	Panel with screw	Plastic panel
<b>M1 160-M2 250</b>	600x300	<b>9531PMEN</b>	<b>9533/24Q</b>	<b>9533/24</b>	<b>9533/24PL</b>
	850x300	<b>9781PMEN</b>	<b>9783/36Q</b>	<b>9783/36</b>	-

Item code		INSTALLATION OF MEGATIKER INTERLOCKED WITH MOTOR OPERATOR			
Circuit breakers	LxA (mm)	DIN rail	Panel 1/4 turn	Panel with screw	Plastic panel
<b>M1 160-M2 250</b>	600x300	<b>9531MID</b>	<b>9533/24Q</b>	<b>9533/24</b>	<b>9533/24PL</b>
	850x300	<b>9781MID</b>	<b>9783/36Q</b>	<b>9783/36</b>	-



# MAS 800

## Panels and plates for fixed version with FRONT terminals - HORIZONTAL version



9541P160N



9541Q/02

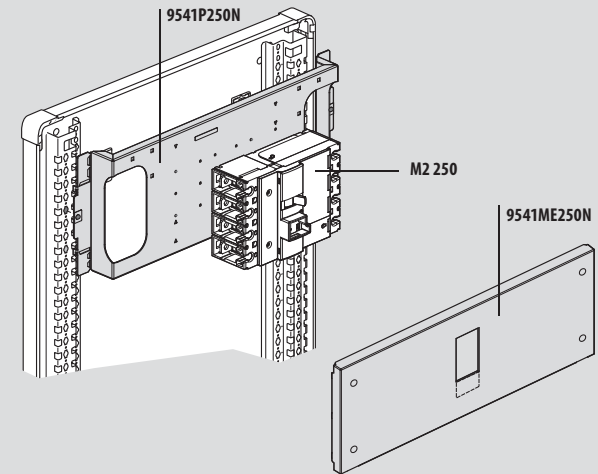
INSTALLATION OF MEGATIKER			
Item code		Plate	Panel with screw
M1 160	600x150	9541P160N	9541ME160N
	850x150	9741P160N	9741ME160N
M2 250	600x200	9541P250N	9541ME250N
	850x200	9741P250N	9741ME250N
M160÷250E	600x200	9541P/02	9541/02
	850x200	9741P/02	9741/02
M4 630	600x300	9541P/04	9541/04
	850x300	9741P/04	9741/04
M5 1600	600x400	9531P/12	9541/12
	850x400	9781P/12	9741/12

INSTALLATION OF MEGATIKER WITH EARTH LEAKAGE			
Circuit breakers	LxA (mm)	Plate	Panel with screw
M160÷250E + GL160-250	600x200	9541P/02	9541/02
	850x200	9741P/02	9741/02
M4 630 + G400-630	600x300	9541P/04	9541/04
	850x300	9741P/04	9741/04

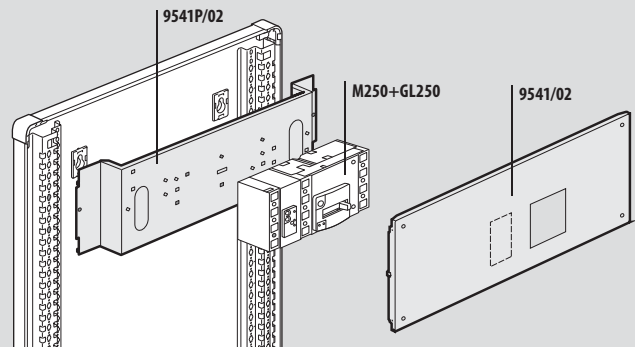
INSTALLATION OF MEGASWITCH DISCONNECTORS				
Circuit breakers	LxA (mm)	Plate	Panel with screw	N. MEGASWITCH
MW250*	600x300	9591PMW2	9591MW2	1
MW630*	600x400	9591PMW4	9591MW4	1
MW1600*	600x400	9531P/12	9591MW12	1

\* on LDX400 and LDX-P with IP40/41 protection index, can only be mounted using the curved doors. There are no limitations for MDX800.

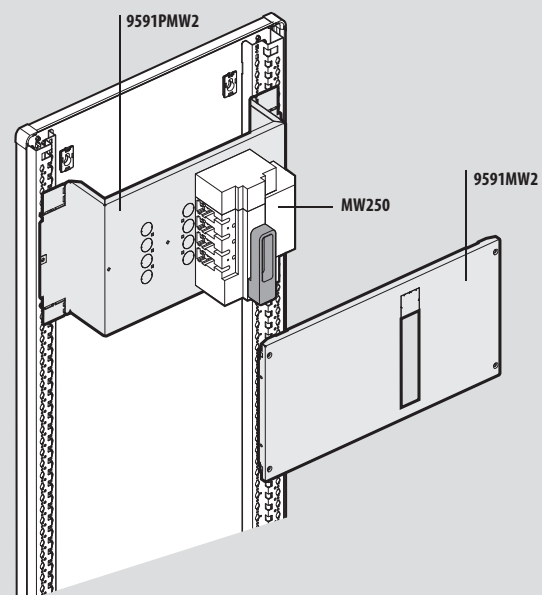
### INSTALLATION OF MEGATIKER M1-M2 ON HORIZONTAL PLATE



### INSTALLATION OF MEGATIKER M5 1600 WITH EARTH LEAKAGE ON HORIZONTAL PLATE



### INSTALLATION OF MEGASWITCH ON HORIZONTAL PLATE



**BTicino** SpA  
Viale Borri, 231  
21100 Varese - Italia  
[www.bticino.com](http://www.bticino.com)

**bticino**  
A Group Brand |  **legrand**

In accordance with its policy of continuous improvement, the Company reserves the right to change specifications and designs without notice. All illustrations, descriptions, dimensions and weights in this catalogue are for guidance and cannot be held binding on the Company.

AD-EX-MA800-2016C - 07/2016