

MAS4000

A Group Brand |  legrand

Cabinets for power center applications



bticino

PLATES AND FRONT PANELS

Table of choice

Circuit breakers	Version	Position	Configuration (EL= Earth Leakage)	Terminals	Motor operator (MO) Rotary handle (RH)	Fork	Chassis	Plate/ DIN 35 rail	
BT DIN								93600N	
M1 160	fixed	vertical	Mccb - Mccb+EL	Front	-	-	-	9531PMEN	
			Mccb - Mccb+EL	Front/rear	-	91830AN	9061TME	9160S	
			Mccb - Mccb+EL	Front/rear	with MO	-	9061TME	9160S	
			Mccb - Mccb+EL	Front/rear	with RH	91830AN	9061TME	9160S	
		Mccb - Mccb+EL	Front/rear	interlocked with or without MO	91830AN	9061TBFME	9160SFB		
		horizontal	Mccb - Mccb+EL	Front	-	-	-	9541P160N	
			Mccb - Mccb+EL	Front/rear	with or without MO	-	-	9541AP160N	
	Mccb - Mccb+EL		Front/rear	-	91830AN	9541TBME	9160SFB		
			with MO	-					
	plug-in	vertical	Mccb - Mccb+EL	Front/rear	-	91830AN	9061TRME	9160SR	
			Mccb - Mccb+EL	Front/rear	with MO	91830AN	9061TRME	9160SR	
			Mccb - Mccb+EL	Front/rear	with RH	-	9061TRME	9160SR	
			Mccb - Mccb+EL	Front/rear	interlocked with or without MO	91830AN	9061TRME	9160SRB	
		horizontal	Mccb - Mccb+EL	Front/rear	with or without MO	-	-	9541PR160N	
Mccb - Mccb+EL			Front/rear	-	91830AN	9541TBRME	9160SRB		
				with MO	-				
M2 250	fixed	vertical	Mccb - Mccb+EL	Front	-	-	-	9531PMEN	
			Mccb - Mccb+EL	Front/rear	-	91830AN	9061TME	9250S	
			Mccb - Mccb+EL	Front/rear	with MO	-	9061TME	9250S	
			Mccb - Mccb+EL	Front/rear	with RH	91830AN	9061TME	9250S	
			Mccb - Mccb+EL	Front/rear	interlocked with or without MO	91830AN	9061TBFME	9250SFB	
		horizontal	Mccb - Mccb+EL	Front	-	-	-	9541P250N	
			Mccb - Mccb+EL	Front/rear	with or without MO	-	-	9541AP250N	
	plug-in	vertical	Mccb - Mccb+EL	Front/rear	-	91830AN	9061TRME	9250SR	
			Mccb - Mccb+EL	Front/rear	with MO	91830AN	9061TRME	9250SR	
			Mccb - Mccb+EL	Front/rear	with RH	-	9061TRME	9250SR	
			Mccb - Mccb+EL	Front/rear	interlocked with or without MO	91830AN	9061TBRME	9250SRB	
		horizontal	Mccb - Mccb+EL	Front/rear	with or without MO	-	-	9541PR250N	
			Mccb - Mccb+EL	Front/rear	-	91830AN	9541TBRME	9250SRB	
					with MO	-			
MW250	fixed	vertical	1 (central)	Front	-	-	-	9561P/W	
			1 or 2	Front	-	-	-	9561P/W	
		horizontal	Front/rear	-	-	-	9591PMW2		

* can be used for IPK value ≤ 50KA and Icw value ≤ 25KA ** Height 400 mm

*** M1 160 and M2 250 available with integrated earth-leakage

Width 600mm (24 modules)					Width 850mm (36 modules)				
	Height (mm)	Front panels 1/4 turn*	Front panels with screw	Front panels with Lock	Fork	Chassis	Plate/DIN35 rail	Front panels 1/4 turn*	Front panels with screw
	150	9529/24Q	9529/24	-			93800N	9779/36Q	9779/36
	200	9531/24Q	9531/24	-				9780/36Q	9780/36
	300	9533/24Q	9533/24	-				9783/36Q	9783/36
	300	9533/24Q	9533/24	-	-	-	9781PMEN	9783/36Q	9783/36
	300	9533/24Q	9533/24	-	91830AN	9081TME	9160S	9783/36Q	9783/36
	300	9533/24Q	9533/24	-	-	-	-	-	-
	300	-	9533N24MR	-	-	-	-	-	-
	300	-	9533/24	9531RMEN**	-	-	-	-	-
	150	-	9541ME160N	-	-	-	9741P160N	-	9741ME160N
	200	-	9451ME250N	9541RMEN	-	-	-	-	-
	400	-	-	9541BME	-	-	-	-	-
	400	-	-	9531RMEN	-	-	-	-	-
	400	-	-	9531RMEN	-	-	-	-	-
	400	-	-	9531N24MR	-	-	-	-	-
	400	-	-	9531RMEN	-	-	-	-	-
	200	-	9451ME250N	9541RMEN	-	-	-	-	-
	400	-	-	9541BME	-	-	-	-	-
	300	9533/24Q	9533/24	-	-	-	9781PMEN	9783/36Q	9783/36
	300	9533/24Q	9533/24	-	91830AN	9081TME	9250S	9783/36Q	9783/36
	300	9533/24Q	9533/24	-	-	-	-	-	-
	300	-	9533N24MR	-	-	-	-	-	-
	400	-	-	9531/RME	-	-	-	-	-
	200	-	9541ME250N	9541RMEN	-	-	9741P250N	-	9741ME250N
	200	-	9541ME250N	9541RMEN	-	-	-	-	-
	400	-	-	9541BME	-	-	-	-	-
	400	-	-	9531RMEN	-	-	-	-	-
	400	-	-	9531RMEN	-	-	-	-	-
	400	-	-	9531N24MR	-	-	-	-	-
	400	-	-	9531RMEN	-	-	-	-	-
	200	-	9541ME250N	9541RMEN	-	-	-	-	-
	400	-	-	9541BME	-	-	-	-	-
	200	-	9561/1WQ	9561/1W	-	-	9761P/W	9761/1WQ	9761/1W
	200	-	9561/2WQ	9561/2W	-	-	9761P/W	9761/1WQ	9761/2W
	300	-	9591MW2	-	-	-	-	-	-

PLATES AND FRONT PANELS

Table of choice

Circuit breakers	Version	Position	Configuration (EL= Earth Leakage)	Terminals	Motor operator (MO) Rotary handle (RH)	Fork	Chassis	Plate/ DIN 35 rail		
M160-250	fixed	vertical	Mccb	Front	-	-	-	9531P/TN		
			Mccb	Front/rear	with or without MO or RH	91830AN*	9061T/TN	9002S		
			Mccb +EL	Front	-	-	-	9532P/TN		
			Mccb +EL	Front/rear	with or without MO or RH	91830AN*	9062T/TN	9002SD		
		horizontal	Mccb - Mccb+EL	Front	-	-	-	9541P/02		
			Mccb - Mccb+EL	Front/rear	with or without MO or RH	-	-	9541AP/02		
			Mccb interlocked	Front/rear	with or without MO	91830AN*	-	9531P/02I		
			Mccb interlocked	Front/rear	with or without MO	91830AN* (x2)	-	9541P/02I		
	plug-in	vertical	Mccb	Front/rear	with or without MO or RH	-	9061TR/TN	9002S/RE		
			Mccb +EL	Front/rear	with or without MO or RH	-	9062TR/TN	9002SD/RE		
		horizontal	Mccb - Mccb+EL	Front/rear	with or without MO or RH	-	-	9541P/02R		
		vertical	Mccb interlocked	Front/rear	with or without MO	-	-	9531P/02I		
		horizontal	Mccb interlocked	Front/rear	with or without MO	-	-	9541P/02I		
		draw-out	vertical	Mccb	Front/rear	with or without RH	91830AN	9061TR/TN	9002S/RE	
	Mccb			Front/rear	with MO	91830AN	9061TR/TN	9002S/RE		
	Mccb +EL			Front/rear	with or without RH	91830AN	9062TR/TN	9002SD/RE		
	Mccb +EL			Front/rear	with MO	91830AN	9062TR/TN	9002SD/RE		
	horizontal		Mccb - Mccb+EL	Front/rear	with or without RH	-	-	9541P/02E		
			Mccb - Mccb+EL	Front/rear	with MO	-	-	9541P/02E		
	vertical		Mccb interlocked	Front/rear	-	91830AN	-	9531P/02I		
			Mccb interlocked	Front/rear	with MO	91830AN	-	9531P/02I		
	horizontal		Mccb interlocked	Front/rear	-	91830AN (x2)	-	9541P/02I		
			Mccb interlocked	Front/rear	with MO	91830AN (x2)	-	9541P/02I		
	M4 630		fixed	vertical	Mccb	Front	-	-	-	9531P/TN
					Mccb	Front/rear	with or without MO or RH	91830AN*	9061T/TN	9004S
		Mccb +EL			Front	-	-	-	9532P/TN	
		Mccb +EL			Front/rear	with or without MO or RH	91830AN*	9062T/TN	9004SD	
		horizontal		Mccb - Mccb+EL	Front	-	-	-	9541P/04	
Mccb - Mccb+EL				Front/rear	-	-	-	9541AP/04		
Mccb - Mccb+EL				Front/rear	with or without MO or RH	-	-	9541AP/04		
Mccb interlocked				Front/rear	with or without MO	91830AN*	-	9531P/04I		
horizontal		Mccb interlocked	Front/rear	with or without MO	91830AN* (x2)	-	9541P/04I			
plug-in		vertical	Mccb	Front/rear	with or without MO or RH	-	9061TR/TN	9004S/RE		
			Mccb +EL	Front/rear	with or without MO or RH	-	9062TR/TN	9004SD/RE		
		horizontal	Mccb - Mccb+EL	Front/rear	-	-	-	9541P/04RE		
			Mccb - Mccb+EL	Front/rear	with MO or RH	-	-	9541P/04RE		
		vertical	Mccb interlocked	Front/rear	with or without MO	-	-	9531P/04I		
		horizontal	Mccb interlocked	Front/rear	with or without MO	-	-	9541P/04I		
		draw-out	vertical	Mccb	Front/rear	with or without RH	91830AN	9061TR/TN	9004S/RE	
				Mccb	Front/rear	with MO	91830AN	9061TR/TN	9004S/RE	
Mccb +EL				Front/rear	with or without RH	91830AN	9062TR/TN	9004SD/RE		
Mccb +EL				Front/rear	with MO	91830AN	9062TR/TN	9004SD/RE		
horizontal			Mccb - Mccb+EL	Front/rear	with or without RH	-	-	9541P/04RE		
			Mccb	Front/rear	with MO	-	-	9541P/04RE		
vertical			Mccb interlocked	Front/rear	-	91830AN	-	9531P/04I		
			Mccb interlocked	Front/rear	with MO	91830AN	-	9531P/04I		
horizontal			Mccb interlocked	Front/rear	-	91830AN (x2)	-	9541P/04I		
			Mccb interlocked	Front/rear	with MO	91830AN (x2)	-	9541P/04I		
MW630			fixed	vertical	1	Front/rear	-	-	9561P/SW	
				horizontal		Front/rear			9591PMW4	

* Not usable with motor operators

Width 600mm (24 modules)					Width 850mm (36 modules)					
Height (mm)	Front panels 1/4 turn*	Front panels with screw	Front panels with Lock	Fork	Chassis	Plate/DIN35 rail	Front panels 1/4 turn*	Front panels with screw	Screw	
400	-	9531/TNQ	9531/TN	-	-	-	9781P/TN	9781/TNQ	9781/TN	
400	-	9531/TNQ	9531/TN	-	91830AN*	9081T/TN	9002S	9781/TNQ	9781/TN	
600	-	9532/TNQ	9532/TN	-	-	-	9782P/TN	9782/TNQ	9782/TN	
600	-	9532/TNQ	9532/TN	-	91830AN*	9082T/TN	9002SD	9782/TNQ	9782/TN	
200	-	-	9541/02	-	-	-	9741P/02	-	9741/02	
200	-	-	9541/02	-	-	-	-	-	-	
400	-	-	-	9531/TNI	-	-	-	-	-	
600	-	-	-	9541/TNI	-	-	-	-	-	
400	-	-	-	9531/RTN	-	-	-	-	-	
600	-	-	-	9532/RTN	-	-	-	-	-	
200	-	-	-	9541/02R	-	-	-	-	-	
400	-	-	-	9531/TNI	-	-	-	-	-	
600	-	-	-	9541/TNI	-	-	-	-	-	
400	MT7357PC	-	-	9531/ETN	-	-	-	-	-	
400	-	-	-	9531/02ECM	-	-	-	-	-	
600	MT7357PC+MT7457PC/D	-	-	9532/ETN	-	-	-	-	-	
600	-	-	-	9532/02ECM	-	-	-	-	-	
300	MT7357PC+MT7457PC/D	-	-	9541/ETN	-	-	-	-	-	
300	-	-	-	9541/02ECM	-	-	-	-	-	
400	MT7357PC (x2)	-	-	9531/TNEI	-	-	-	-	-	
400	-	-	-	9531/02ECM	-	-	-	-	-	
600	MT7357PC (x2)	-	-	9541/TNEI	-	-	-	-	-	
600	-	-	-	9541/02ECM	-	-	-	-	-	
400	-	9531/TNQ	9531/TN	-	-	-	9781P/TN	9781/TNQ	9781/TN	
400	-	9531/TNQ	9531/TN	-	91830AN*	9081T/TN	9004S	9781/TNQ	9781/TN	
600	-	9532/TNQ	9532/TN	-	-	-	9782P/TN	9782/TNQ	9782/TN	
600	-	9532/TNQ	9532/TN	-	91830AN*	9082T/TN	9004SD	9782/TNQ	9782/TN	
300	-	-	9541/04	-	-	-	9741P/04	-	9741/04	
300	-	-	9541/04	-	-	-	-	-	-	
300	-	-	9541/04CM	-	-	-	-	-	-	
400	-	-	-	9531/TNI	-	-	-	-	-	
600	-	-	-	9541/TNI	-	-	-	-	-	
400	-	-	-	9531/RTN	-	-	-	-	-	
600	-	-	-	9532/RTN	-	-	-	-	-	
300	-	-	-	9541/04R	-	-	-	-	-	
300	-	-	-	9541/04ECM	-	-	-	-	-	
400	-	-	-	9531/TNI	-	-	-	-	-	
600	-	-	-	9541/TNI	-	-	-	-	-	
400	MT7457PC	-	-	9531/ETN	-	-	-	-	-	
400	-	-	-	9531/04ECM	-	-	-	-	-	
600	MT7457PC+MT7457PC/D	-	-	9532/ETN	-	-	-	-	-	
600	-	-	-	9532/04ECM	-	-	-	-	-	
300	MT7457PC+MT7457PC/D	-	-	9541/04E	-	-	-	-	-	
300	-	-	-	9541/04ECM	-	-	-	-	-	
400	MT7457PC (x2)	-	-	9531/TNEI	-	-	-	-	-	
400	-	-	-	9531/04ECM	-	-	-	-	-	
600	MT7457PC (x2)	-	-	9541/TNEI	-	-	-	-	-	
600	-	-	-	9541/04ECM	-	-	-	-	-	
300	-	9561/SWQ	9561/SW	-	-	-	9761P/SW	9761/SWQ	9761/SW	
400	-	-	9591MW4	-	-	-	-	-	-	

PLATES AND FRONT PANELS

Table of choice

Circuit breakers	Version	Position	Configuration (EL= Earth Leakage)	Terminals	Motor operator (MO) Rotary handle (RH)	Fork	Plate
M5 1600	fixed	vertical	Mccb	Front	-	-	9531P/12
			Mccb	Front	-	-	-
			Mccb	Front	-	91830AN (x2)	9531P/12TK
			Mccb	Front	-	-	-
			Mccb	Front	MO or RH	91830AN* (x2)	9531P/12TK
			Mccb	Front	MO or RH	-	-
			Mccb	Rear	-	91830AN (x2)	9531TP/TS
			Mccb	Rear	-	-	-
		Mccb	Rear	MO or RH	91830AN* (x2)	9531TP/TS	
		Mccb	Rear	MO or RH	-	-	
		horizontal	Mccb	Front	-	-	9531P/12
			Mccb	Front	MO or RH	-	9531P/12
			Mccb	Rear	-	91830AN (x2)	9541AP/12
			Mccb	Rear	MO or RH	91830AN* (x2)	9541AP/12
	horizontal	Mccb interlocked	Front/rear	-	-	9541P/12FI	
		Mccb interlocked	Front/rear	MO	-	9541P/12FI	
	draw-out	vertical	Mccb	Front/rear	-	-	9531P/12E
			Mccb	Front/rear	MO or RH	-	9531P/12E
		horizontal	Mccb	Front/rear	-	-	9541P/12E
			Mccb	Front/rear	MO or RH	-	9541P/12E
horizontal		Mccb interlocked	Front/rear	-	-	9541P/12EI	
		Mccb interlocked	Front/rear	MO	-	9541P/12EI	
MW 1600	fixed	vertical	1 (central)	Front	-	-	9531P/12
			2	Front	-	-	-
			1 (central)	Rear	-	91830AN* (x2)	9531TP/TS
			2	Rear	-	-	-
	horizontal	1				9531P/12	
MEGABREAK FRAME 1	fixed	vertical	-	Rear	-	-	9533P6F
	draw-out	vertical	-	Rear	-	-	9533P6E
MEGABREAK FRAME 2	fixed	vertical	-	Rear	-	-	9533P6F
	draw-out	vertical	-	Rear	-	-	9533P6E

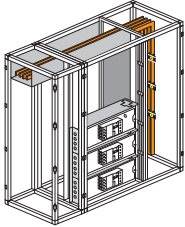
Width 600mm (324modules)				Width 850mm (36 modules)			
Height (mm)	Front panels with screw	Front panels with lock	Fork	Plate	Front panels with screw	Front panels with lock	
400	9531/1TS	-	-	9781P/12	9781/1TS	-	
400	-	-	-	9781P/12	9781/2TS	-	
400	9531/1TS	-	91830AN (x2)	9781P/12TK1	9781/1TS	-	
400	-	-	91830AN (x2)	9781P/12TK2	9781/2TS	-	
400	9531/TSCM	-	91830AN* (x2)	9781P/12TK1	9781/1TSCM	-	
400	-	-	91830AN* (x2)	9781P/12TK2	-	-	
400	9531/1TS	-	91830AN (x2)	9781TP/1TS	9781/1TS	-	
400	-	-	91830AN (x2)	9781TP/2TS	-	-	
400	9531/TSCM	-	91830AN* (x2)	9781TP/1TS	9781/1TSCM	-	
400	-	-	91830AN* (x2)	9781TP/2TS	-	-	
400	9541/12	-	-	9781P/12	9741/12	-	
400	9541/12CM	-	-	-	-	-	
400	9541/12	-	-	-	-	-	
400	9541/12CM	-	-	-	-	-	
800	9541/12 (x2)	-	-	-	-	-	
800	9541/12CM (x2)	-	-	-	-	-	
600	-	9531/12E	-	-	-	-	
600	-	9531/12ECM	-	-	-	-	
400	-	9541/12E	-	-	-	-	
400	-	9541/12ECM	-	-	-	-	
800	-	9541/12E (x2)	-	-	-	-	
800	-	9541/12ECM (x2)	-	-	-	-	
400	9561/SSW	-	-	9781P/12	9761/SSW	-	
400	-	-	-	9781P/12	9761/SSW	-	
400	9561/SSW	-	91830AN* (x2)	9781TP/1TS	9761/SSW	-	
400	-	-	91830AN* (x2)	9781TP/2TS	9761/SSW	-	
400	9591MW12	-	-	-	-	-	
600	-	9533C6F1	-	9533P8F	-	9533C8F2	
600	-	9533C6F1	-	9533P8E	-	9533C8F2	
600	-	9533C6F1 (3P) 9533C6F2 (4P)	-	9533P8F	-	9533C8F2	
600	-	9533C6F1 (3P) 9533C6F2 (4P)	-	9533P8E	-	9533C8F2	

MAS 4000

Insulation systems

The kits are made up of metal cells and insulating diaphragms which can make the following forms of separation

FRONT ACCESS



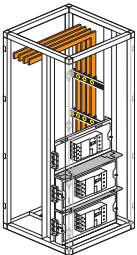
2B form

2B form of separation is obtained by separating the equipment from the power supply busbars and possibly separating side-by-side cabinets. The 2B form of separation can only be made in HDX cabinets with depth 350/600 mm and height 2000 mm.

3B-4A form

3B-4A form of separation is obtained by separating the equipment from the power supply busbars, by separating any side-by-side cabinets, by separating the circuit breakers from each other, by separating the outlets of the circuit breakers from each other. The 3B-4A form of separation can only be made in HDX cabinets with depth 350/600 mm and height 2000 mm.

REAR ACCESS



2A form

2A form separation is obtained by separating the equipment from the power supply busbars. This normally occurs with the mounting of circuit breaker fastening plates; however, where there are differences of depth between adjacent plates which create apertures which can allow access to the rear busbars, the horizontal separator must be inserted between the plates.

3A form

3A form separation is obtained by separating the equipment from the power supply busbars, by separating the circuit breakers from each other, by closing the space between risers and functional plates.

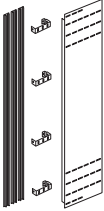

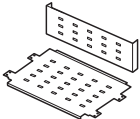
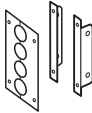
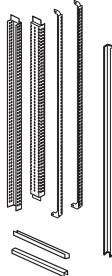
3B form

3B form separation is obtained by separating the equipment from the power supply busbars, by separating the circuit breakers from each other, by closing the space between risers and functional plates, by separating the inlet and outlet of each circuit breaker, by the vertical separation between adjacent columns (in the case of side-by-side cabinets).

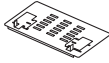



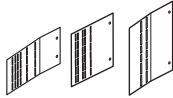

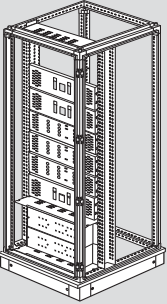
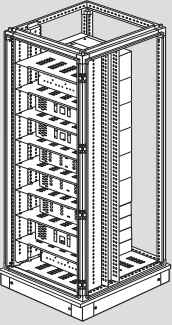
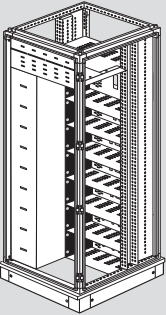
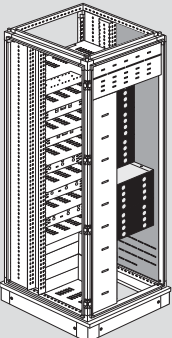
4B form

4B form separation is obtained by separating the equipment from the power supply busbars, by separating the circuit breakers from each other, by closing the space between risers and functional plates, by separating the inlet and outlet of each circuit breaker with rear closing of the outlets, the vertical separation between adjacent columns (in the case of side-by-side cabinets).

Cabinet depth	Horizontal separator shelf (width 600 mm)	Horizontal separator (width 600 mm)	
2B form 	350		
	600		
3A form 	350	L 600mm 91840/SS L 850mm 91855/SS	L 600mm 91840/SS L 850mm 91855/SS
	600	L 600mm 91840/SS L 850mm 91855/SS	L 600mm 91840/SS L 850mm 91855/SS

	Vertical separation kit	Vertical separation components between adjacent columns	Omnibus horizontal separation	Side closing components and wire outlet	Functional plates
					
<p>91840/SBV</p>	<p>91840/3PSH</p>	<p>L 250mm 91840/2SB0 L 350mm 91840/3SB0 L 600mm 91840/6SB0</p>		<p>91840/8MH</p>	
<p>91845/SBV</p>	<p>91840/6PSH</p>	<p>L 250mm 91845/2SB0 L 350mm 91845/3SB0 L 600mm 91845/6SB0</p>		<p>91845/8MH</p>	
<p>91840/SBV</p>	<p>91840/3PSH</p>	<p>L 250mm 91840/2SB0 L 350mm 91840/3SB0 L 600mm 91840/6SB0</p>	<p>h 250mm 91840/2SL h 350mm 91840/3SL h 600mm 91840/4SL</p>	<p>91840/8MH</p>	
<p>91845/SBV</p>	<p>91840/6PSH</p>	<p>L 250mm 91845/2SB0 L 350mm 91845/3SB0 L 600mm 91845/3SB0</p>	<p>h 250mm 91840/2SL h 350mm 91840/3SL h 600mm 91840/4SL</p>	<p>91845/8MH</p>	

MAS 4000
Insulation systems

Cabinet depth	Horizontal separator shelf (width 600 mm)	Horizontal separator (width 600 mm)	Separation components between risers and functional plates	Kit for the vertical separation between the inlets and outlets	Circuit breaker inlet/outlet separation components	Vertical separation components between adjacent columns*
						
2A form 	600 L 600mm 91840/SS L 850mm 91855/SS	L 600mm 91840/SSE L 850mm 91855/SSE				
	850 L 600mm 91840/SS L 850mm 91855/SS	L 600mm 91840/SSE L 850mm 91855/SSE				
3A form 	600 L 600mm 91840/SS L 850mm 91855/SS	L 600mm 91840/SSE L 850mm 91855/SSE	91850/CF			
	850 L 600mm 91840/SS L 850mm 91855/SS	L 600mm 91840/SSE L 850mm 91855/SSE	91850/CF			
3B form 	600 L 600mm 91840/SS L 850mm 91855/SS	L 600mm 91840/SSE L 850mm 91855/SSE	91850/CF	91850/6SV	h 200mm 91850/2SE h 300mm 91850/3SE h 400mm 91850/4SE	91840/3PSH
	850 L 600mm 91840/SS L 850mm 91855/SS	L 600mm 91840/SSE L 850mm 91855/SSE	91850/CF	91850/8SV	h 200mm 91850/2SE h 300mm 91850/3SE h 400mm 91850/4SE	91840/6PSH
4B form 	600	L 600mm 91840/SSE	91850/CF			91840/3PSH
	850	L 600mm 91840/SSE	91850/CF			91840/6PSH

Omnibus horizontal separation	Bottom separation for busbar compartment	Busbar compartment rear closure	Empty cells (to close busbar side)	Separation cells (the cell is selected on the basis of the height of the circuit breaker plate)	Extension component for separation cells	Closing top for separation cells	Separation kit for MEGABREAK
							91851/KF2
							91852/KF2
							91851/KF4
							91852/KF4
91850/6CS							91851/KF4
91850/8CS							91852/KF4
91850/6CS	91850/6SF	91850/CP	91850/6CV	h 200mm 91850/2CE h 300mm 91850/3CE h 400mm 91850/4CE	91850/2EP 91850/3EP 91850/4EP	91850CT	91851/KF4
91850/8CS	91850/8SF	91850/CP	91850/8CV	h 200mm 91850/2CE h 300mm 91850/3CE h 400mm 91850/4CE	91850/2EP 91850/3EP 91850/4EP	91850CT	91852/KF4

MAS 4000

Cabinets, doors and front panels



Item code		HDX KIT OF TOP AND BASE WITH PANELS			
		Width		Depth	
With blank panels	With cable entry	External (mm)	Internal (mm)	External (mm)	Internal (mm)
91801/33C	91801/33A	488	350	488	350
91801/36C	91801/36A	488	350	738	600
91801/38C	91801/38A	488	350	988	850
91801/63C	91801/63A	738	600	488	350
91801/66C	91801/66A	738	600	738	600
91801/68C	91801/68A	738	600	988	850
91801/83C	91801/83A	988	850	488	350
91801/86C	91801/86A	988	850	738	600
91801/88C	91801/88A	988	850	988	850

HDX STACKING PLINTH WHICH CAN BE INSPECTED H 100 mm					
		Width		Depth	
		External (mm)	Internal (mm)	External (mm)	Internal (mm)
91811/33		488	350	488	350
91811/36		488	350	738	600
91811/38		488	350	988	850
91811/66		738	600	738	600
91811/68		738	600	988	850
91811/88		988	850	988	850
		Ventilation panel for plinth h 100mm			
91811/60A		600			
91811/80A		850			

HDX RISES	
Height	
91821	1800
91821/10	2000

HDX FUNCTIONAL PLATES	
Height	
91831A/9	1800
91831A/10	2000

FUNCTIONAL PLATES FOR INTERNAL BUSBAR COMPARTMENT	
To be used instead of functional plates 91831A to make an internal busbar compartment in cabinets width 850mm. Each code number includes two functional plates and two front risers.	
Height	
91831A/9VI	1800
91831A/10VI	2000

FUNCTIONAL PLATES FOR FRONT ACCESS SEPARATION FORM	
To be used instead of functional plates 91831A to make an internal busbar compartment in cabinets width 850mm, needed to make separation forms with front access.	
Height	
91840/8MH	1800
91845/8MH	2000

Item code	HDX - FUNCTIONAL PLATES WITH DOOR	
To be used instead of functional plates 91831A. The code number includes the functional plates and the front surround plate-holder in which the front cover panels will be positioned.		
		Height (mm)
91831P6/9	1800	600
91831P6/10	2000	600
91831P8/9	1800	850
91831P8/10	2000	850
functional plate with door for internal busbar compartment		
91831P8/9VI	1800	
91831P8/10VI	2000	

HDX DOORS				
Metal sheet	Glass	Curved glass	Height (mm)	Width (mm)
91865/30LR			1800	350
91865/60LR	91865/60VR	91865S/60VR	1800	600
91865/80LR	91865/80VR	91865S/80VR	1800	850
91865/30LR2			2000	350
91865/60LR2	91865/60VR2	91865S/60VR2	2000	600
91865/80LR2	91865/80VR2	91865S/80VR2	2000	850
			Door for internal busbar compartment	
91861/20			1800	250
91861/30			1800	350
91861/20/10			2000	250
91861/30/10			2000	350

SET OF FRONT RAILS FOR IP30 CABINETS			
	Height (mm)	Width (mm)	Description
91877/30	1800	350	for internal busbar compartment
91877/60	1800	600	for cabinet
91877/80	1800	850	for cabinet
91877/30/10	2000	350	for internal busbar compartment
91877/60/10	2000	600	for cabinet
91877/80/10	2000	850	for cabinet

HDX SIDE AND REAR CLOSING PANELS		
	Height (mm)	Width (mm)
91863/03R	1800	350
91863/06R	1800	600
91863/08R	1800	850
91863/03/10	2000	350
91863/06/10	2000	600
91863/08/10	2000	850

HDX WHOLE BOTTOM PLATES IN FULL SHEET		
	Height (mm)	Width (mm)
91832/60N	1800	600
91832/80N	1800	850
91832/00N*		

* full panel in galvanised sheet to close intermediate space between bottom panels of side-by-side cabinets

MAS 4000

Counterdoors and installation accessories

Item code	HDX - COUNTERDOORS WITH LOCKS	
	Cannot be installed together with the functional plates	
	Dimensions (WxH) (mm)	
91833/60/9	600x1800	
91833/80/9	850x1800	

HDX - "U" RAILS FOR USE AS INTERMEDIATE RISERS FOR GENERIC FASTENINGS		
	Height (mm)	
81825	1800	
81825/10	2000	

HDX - REINFORCEMENT PLATES FOR CABINET SIDE-BY-SIDE MOUNTING		
91874L	L-shaped plate for side-by-side mounting	
91874P	Flat plate for side-by-side mounting	

HDX - RESIN RAILS FOR RISER FRONT COVER IN SIDE-BY-SIDE CABINETS*		
To be used in case of side-by-side mounting of IP65 structures		
	Height (mm)	
91876	1800	
91876/10	2000	

HDX - HANDLES FOR HDX CABINETS		
91860S	handle with key	

Item code	HDX - FRONT COVERS FOR MEGATIKAER CIRCUIT BREAKERS	
MT7062	Cover plate for circuit breakers MA/ME125	
MT7062/2	Cover plate for circuit breakers ME160	
MT7262	Cover plate for circuit breakers ME250	
E80FP	blanking module front cover for metal panels	

HDX - EARTH BUSBARS AND SUPPORTS		
78860N/6N	earth busbar width 600 mm	
78860N/8N	earth busbar width 850 mm	

HDX - VARIOUS ACCESSORIES		
65010	threaded plates to fasten devices for DIN32 rails	
81835	M6 nut for internal fastenings on "U" rails	
81873	spreaders for ventilation for HDX	
81874	set of 8 screws for HDX cabinet side-by-side mounting	
81875	IP65 gasket for HDX cabinets length 20m	
9530KC	pair of hinges for panels with 4 screws	
93000RAL	RAL7035 grey paint for retouches	
81871	eye bolts to lift HDX cabinets (4)	

HDX - "U" RAILS FOR GENERIC FASTENINGS		
To be used between functional plate and cabinet bottom. Each code number includes two rails		
	Width (mm)	
91826/03	350	
91826/06	600	

HDX - SUPPORTS FOR TERMINAL BOARDS AND TRUNKINGS		
70000M0	support for terminal boards and horizontal rails	
92000M	support for terminal boards and trunkings	
93000/6C	trunking support for MAS800 and HDX width 600 mm	
93000/8C	trunking support for MAS800 and HDX width 850 mm	

RAILS FOR DEVICE FASTENING			
	Type	Width (mm)	
70860N	DIN 35	600	
70861N	DIN 35	850	
72860N	DIN 32	600	
72861N	DIN 32	850	

NOTE: 10 rails for item

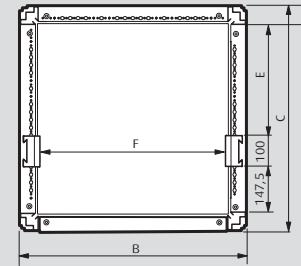
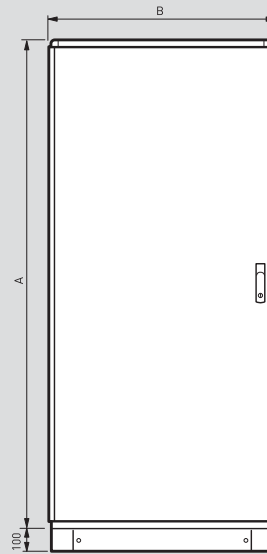
HDX - SLIDING BLANK INTERNAL PLATES		
	Dimensions (WxH) (mm)	
9540LTK	600x200	
9542LTK	600x300	
9780LTK	850x200	



TECHNICAL FEATURES MAS4000

Reference standard	IEC EN 61439-1/2
Type of manufacture material	galvanised steel
Thickness (mm)	1,5
Colour	grey RAL 7035
Protection index	IP30 without door IP65 with door**
Maximum rated current of the circuit breaker that can be installed In (A)	4000
Maximum peak current Ipk (limited)* (kA)	242
Conditioned short circuit current Icc (kA)	max 100 (depending on the busbar system)
Resistance to abrasion every 50 passages of the abrasive shoe (mm)	1
Heat resistance for hardened epoxy film (°C)	150
Corrosion resistance after 1000 hours in saline mist	unaltered epoxy film
Max resistance to separation around an incision of the film after 100 hours in saline mist (mm)	1÷2
Relative dielectric constant (measured at 10 ³ Hz)	3.5÷4.5
Dielectric strength at 20° C (kV/mm)	38,5
Dielectric strength at 160° C (kV/mm)	20,6
Painting of the enclosures surfaces	epoxy polyester powder
Treatment of surfaces, supports, fasteners	passivated galvanising
Distance between glass and front panels(mm)	47 flat door / 87 curved door
Useful internal depth (plate/panel) (mm)	190 (Plate fissa) 109-297(sliding plate)

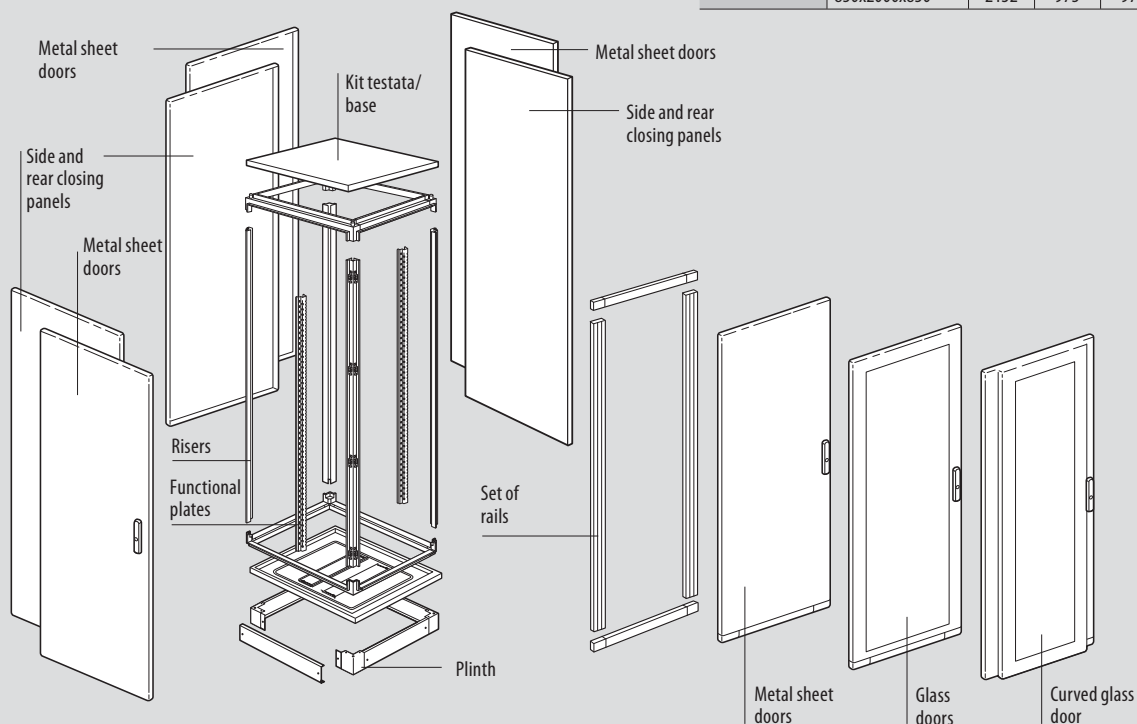
* these values refer to a short circuit opened by a circuit breaker installed inside the container itself
 ** for Internal use



The dimensions indicated refer to a structure formed of the base/top and the functional risers. The amounts for the thicknesses of doors and external panels, as given below, should be added to these measurements where necessary:

metal sheet panels: 6.5 mm
 glass or metal sheet doors: 6.5 mm
 curved glass doors: add 53.5 mm (glass thickness 4mm)

		A	B	C	E	F
Modular dimension (WxHxD) (mm)	350x1800x350	1932	475	475	100	300
	350x1800x600	1932	475	725	350	300
	350x1800x850	1932	475	975	600	300
	600x1800x350	1932	725	475	100	550
	600x1800x600	1932	725	725	350	550
	600x1800x850	1932	725	975	600	550
	850x1800x350	1932	975	475	100	800
	850x1800x600	1932	975	725	350	800
	850x1800x850	1932	975	975	600	800
	350x2000x350	2132	475	475	100	300
	350x2000x600	2132	475	725	350	300
	350x2000x850	2132	475	975	600	300
	600x2000x350	2132	725	475	100	550
	600x2000x600	2132	725	725	350	550
	600x2000x850	2132	725	975	600	550
	850x2000x350	2132	975	475	100	800
	850x2000x600	2132	975	725	350	800
	850x2000x850	2132	975	975	600	800



MAS 6300

Cabinets, doors and front panels



Item code **MAS 6300 KIT OF TOP AND BASE WITH REINFORCEMENT**

	Width		Depth	
	External (mm)	Internal (mm)	External (mm)	Internal (mm)
With cable entry				
91801N123	1438	1300	488	350
91801N126	1438	1300	738	600
91801N129	1438	1300	988	850

MAS 6300 REINFORCED PLINTH

	Width		Depth	
	External (mm)	Internal (mm)	External (mm)	Internal (mm)
91811N123	1438	1300	488	350
91811N126	1438	1300	738	600
91811N129	1438	1300	988	850

MAS 6300 RISERS

Item code	Height
91821N20	2000

MAS 6300 FUNCTIONAL PLATES

Item code	Height
91831AN20	2000

MAS 6300 MEGABREAK 3P PLATE AND PANEL - FIXED VERSION

Plate	Front panel	Height	Width
9533P12F	9533C12F	600	1300

MAS 6300 MEGABREAK 3P PLATE AND PANEL - DRAW-OUT VERSION

Plate	Front panel	Height	Width
9533P12E	9533C12F	600	1300

MAS 6300 MEGABREAK 4P PLATE AND PANEL - FIXED VERSION

Plate	Front panel	Height	Width
9533P12F	9533C12F	600	1300

MAS 6300 MEGABREAK 4P PLATE AND PANEL - DRAW-OUT VERSION

Plate	Front panel	Height	Width
9533P12E	9533C12F	600	1300

MAS 6300 DIN RAIL AND PANELS

93120DIN35	DIN rail width 1300 mm
9531N48	Front panel DIN 1300x200 mm
9930N	Blank panel 1300x200 mm
9931N	Blank panel 1300x400 mm

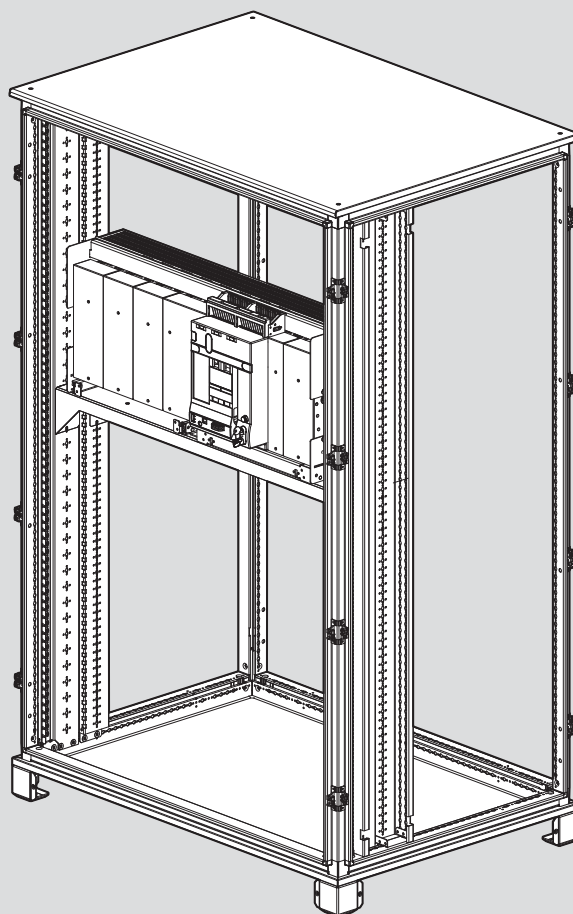
MAS 6300 VARIOUS ACCESSORIES

91863P12H10	Rear closing panel 1300x2000mm
91886NSF	Reinforced special insulator for busbars 6300 A - fixed
91886NSS	Reinforced special insulator for busbars 6300 A - wander
91851NKF4	Separation kit for MEGABREAK cells 6300A
91850NKSb	Separation kit for busbars 6300 A
91877N12	IP30 finishing profile 1300x2000 mm

TECHNICAL FEATURES HDX6300

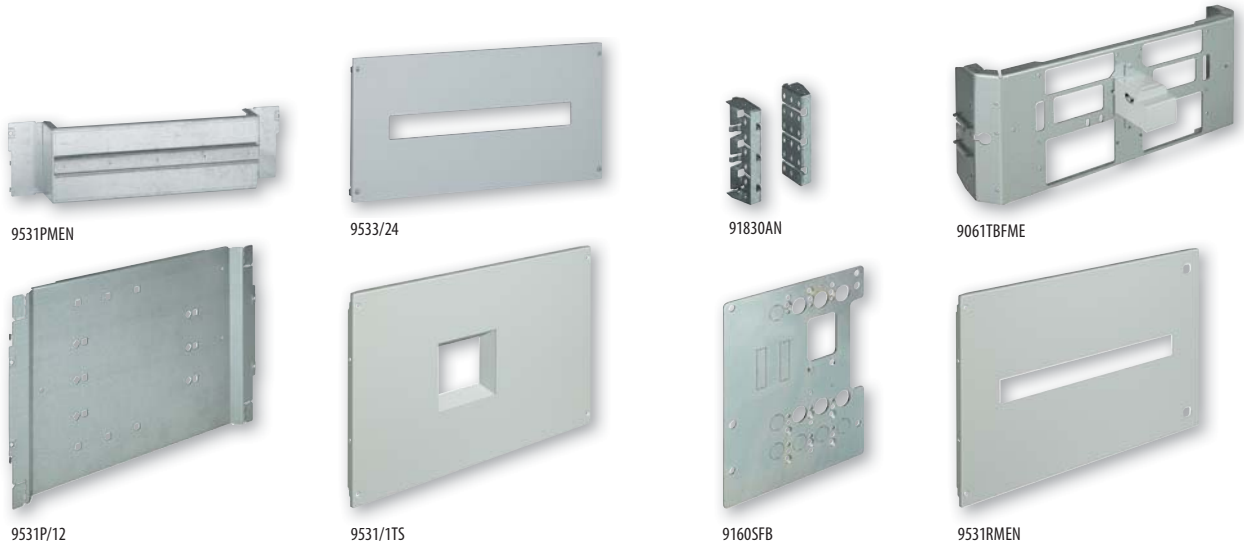
Reference standard	IEC EN 61439-1/2
Type of manufacture material	galvanised steel
Thickness (mm)	1,5
Colour	grey RAL 7035
Protection index	IP30
Maximum rated current of the circuit breaker that can be installed In (A)	6300
Maximum peak current Ipk (limited)* (kA)	242
Conditioned short circuit current Icc (kA)	max 100 (depending on the busbar system)
Resistance to abrasion every 50 passages of the abrasive shoe (mm)	1
Heat resistance for hardened epoxy film (°C)	150
Corrosion resistance after 1000 hours in saline mist	unaltered epoxy film
Max resistance to separation around an incision of the film after 100 hours in saline mist (mm)	1÷2
Relative dielectric constant (measured at 10 ³ Hz)	3.5÷4.5
Dielectric strength at 20° C (kV/mm)	38,5
Dielectric strength at 160° C (kV/mm)	20,6
Painting of the enclosures surfaces	epoxy polyester powder
Treatment of surfaces, supports, fasteners	passivated galvanising

* these values refer to a short circuit opened by a circuit breaker installed inside the container itself



MAS 4000

Panels and plates for fixed version with FRONT terminals - VERTICAL version



Item code	MEGATIKER AND MEGASWITCH ON DIN35 RAIL			
WxH (mm)	DIN rail	Panel 1/4 turn	Screw panel	Plastic panel
BT DIN				
600x150		9529/24Q	9529/24	9529/24PL
600x200	93600N	9531/24Q	9531/24	9531/24PL
600x300		9533/24Q	9533/24	9533/24PL
850x150		9779/36Q	9779/36	-
850x200	93800N	9780/36Q	9780/36	-
850x300		9783/36Q	9783/36	-
M1 160- M2 250				
600x300	9531PMEN	9533/24Q	9533/24	9533/24PL
850x300	9781PMEN	9783/36Q	9783/36	
MW63 ÷ 160				
600x200	93600N	9531/24Q	9531/24	9531/24PL
600x300		9533/24Q	9533/24	9533/24PL
850x200	93800N	9780/36Q	9780/36	-
850x300		9783/36Q	9783/36	-

MEGATIKER M160-1600E				
WxH (mm)	Plate	Panel 1/4 turn	Screw panel	N. max Circuit breakers
M160 ÷ 250E				
600x400	9531P/TN	9531/TNQ	9531/TN	3
850x400	9781P/TN	9781/TNQ	9781/TN	3
M4 630				
600x400	9531P/TN	9531/TNQ	9531/TN	2
850x400	9781P/TN	9781/TNQ	9781/TN	3
M5 1600				
600x400	9531P/12	-	9531/1TS	1
850x400	9781P/12	-	9781/1TS	1
850x400	9781P/12	-	9781/2TS	2

MEGATIKER M160-630E WITH EARTH LEAKAGE				
The sheet panels have laser-cut cut outs to adapt them to the mounting of up to three moulded case circuit breakers (depending on the size)				
WxH (mm)	Plate	Panel 1/4 turn	Screw	N. max Circuit breakers
M160 ÷ 250E + G160-250				
600x600	9532P/TN	9532/TNQ	9532/TN	3
850x600	9782P/TN	9782/TNQ	9782/TN	3
M4 630 + G400-630				
600x600	9532P/TN	9532/TNQ	9532/TN	2
850x600	9782P/TN	9782/TNQ	9782/TN	3

Item code	DISCONNECTORS MEGASWITCH 250-1600			
WxH (mm)	Plate	Panel 1/4 turn	Screw panel	N. max MEGASWITCH
MW250				
600x300	9561P/W	9561/1WQ	9561/1W	1
600x300		9561/2WQ	9561/2W	1 or 2
850x400	9761P/W	9561/1WQ	9761/1W	1
850x400		9761/2WQ	9761/2W	1
MW630				
600x300	9561P/SW	9561/SWQ	9561/SW	1
850x300	9761P/SW	9761/SWQ	9761/SW	1
MW1600				
600x400	9531P/12	-	9561/SSW	1
850x400	9781P/12	-	9761/SSW	1
850x400	9781TP/2TS	-	9761/SSW	2

MEGATIKER M1-M2 INTERLOCKED					
WxH (mm)	Fork	Chassis	Plate	Screw panel	Lock
M1 160					
600x300	91830AN	9061TBFME	9160SFB	9533/24	9531RMEN*
M2 250					
600x400	91830AN	9061TBFME	9250SFB		9531/RME

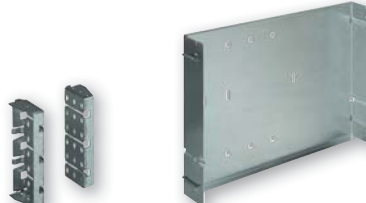
* Height 400

MAS 4000

Panels and plates for fixed version with FRONT and REAR terminals - VERTICAL version



91830AN 9062T/TN



91830AN 9531P/12TK



9002SD 9532/TN



9531/TSMotor operator

Item code MEGATIKER

WxH (mm)	Fork	Chassis	Plate	Panel 1/4 turn	Screw panel	N° max Mccbs
M1 160						
600x300	91830AN	9061TME	9160S	9533/24Q	9533/24	
850x300	91830AN	9081TME	9160S	9783/36Q	9783/36	
M2 250						
600x300	91830AN	9061TME	9250S	9533/24Q	9533/24	
850x300	91830AN	9081TME	9250S	9783/36Q	9783/36	
M160÷250E						
600x400	91830AN	9061T/TN	9002S	9531/TNQ	9531/TN	3
850x400	91830AN	9081T/TN	9002S	9781/TNQ	9781/TN	3
M4 630						
600x400	91830AN	9061T/TN	9004S	9531/TNQ	9531/TN	2
850x400	91830AN	9081T/TN	9004S	9781/TNQ	9781/TN	3
M5 1600						
600x400	91830AN	-	9531P/12TK	-	9531/TSCM	1
850x400	91830AN	-	9781P/12TK1	-	9781/1TSCM	1
850x400	91830AN (x2)	-	9781P/12TK2	-	-	2

Item code MEGATIKER WITH ROTARY HANDLE

WxH (mm)	Fork	Chassis	Plate	Panel 1/4 turn	Screw panel	N° max Mccbs
M1 160						
600x300	91830AN	9061TME	9160S		9533N24MR	3
M2 250						
600x300	91830AN	9061TME	9250S		9533N24MR	3
M160÷250E						
600x400	91830AN	9061T/TN	9002S	9531/TNQ	9531/TN	3
850x400	91830AN	9081T/TN	9002S	9781/TNQ	9781/TN	3
M4 630						
600x400	91830AN	9061T/TN	9004S	9531/TNQ	9531/TN	2
850x400	91830AN	9081T/TN	9004S	9781/TNQ	9781/TN	3
M5 1600						
600x400	91830AN (x2)	-	9531P/12TK	-	9531/TSCM	1
850x400	91830AN (x2)	-	9781P/12TK1	-	9781/1TSCM	1
850x400	91830AN (x2)	-	9781P/12TK2	-	-	2

MEGATIKER M160-630E WITH EARTH LEAKAGE

WxH (mm)	Fork	Chassis	Plate	Panel 1/4 turn	Screw panel	N° max Mccbs
M1 160÷250E						
600x600	91830AN	9062T/TN	9002SD	9532/TNQ	9532/TN	3
850x600	91830AN	9082T/TN	9002SD	9782/TNQ	9782/TN	3
M4 630						
600x600	91830AN	9062T/TN	9004SD	9532/TNQ	9532/TN	2
850x600	91830AN	9082T/TN	9004SD	9782/TNQ	9782/TN	3

MEGATIKER WITH EARTH LEAKAGE AND ROTARY HANDLE

WxH (mm)	Fork	Chassis	Plate	Panel 1/4 turn	Screw panel	N° max Mccbs
M1 160						
600x300	91830AN	9061TME	9160S		9533N24MR	
M2 250						
600x300	91830AN	9061TME	9250S		9533N24MR	
M160÷250E						
600x600	91830AN	9062T/TN	9002SD	9532/TNQ	9532/TN	3
850x600	91830AN	9082T/TN	9002SD	9782/TNQ	9782/TN	3
M4 630						
600x600	91830AN	9062T/TN	9004SD	9532/TNQ	9532/TN	2
850x600	91830AN	9082T/TN	9004SD	9782/TNQ	9782/TN	3

MAS 4000

Front panels e piastre per esecuzione fissa with
Terminals FRONT e REAR VERTICAL version



9062/TN



9531P/02I



9531/TNI



9004SD



9532/TNQ



9533P6F



9533C6F1

Item code	MEGATIKER WITH MOTOR OPERATOR				
WxH (mm)	Chassis	Plate	Panel 1/4 turn	Screw panel	N° max McCBS
M1 160					
600x300	9061TME	9160S	9533/24Q	9533/24	
M2 250					
600x300	9061TME	9250S	9533/24Q	9533/24	
M160÷250E					
600x400	9061T/TN	9002S	9531/TNQ	9531/TN	3
850x400	9081T/TN	9002S	9781/TNQ	9781/TN	3
M4 630					
600x400	9061T/TN	9004S	9531/TNQ	9531/TN	2
850x400	9081T/TN	9004S	9781/TNQ	9781/TN	3
M5 1600					
600x400	-	9531P/12TK (FT) 9531TP/TS (RT)	-	9531/TSCM	1
850x400	-	9781P/12TK1 (FT) 9581TP/1TS (RT)	-	9781/1TSCM	1
850x400	-	9781P/12TK2 (FT)	-	-	2

FT - front terminals only - RT - rear terminals only

Item code	MEGATIKER WITH EARTH LEAKAGE AND MOTOR OPERATOR				
WxH (mm)	Chassis	Plate	Panel 1/4 turn	Screw panel	N° max McCBS
M1 160					
600x300	9061TME	9160S	9533/24Q	9533/24	
M2 250					
600x300	9061TME	9250S	9533/24Q	9533/24	
M160÷250E					
600x600	9062T/TN	9002SD	9532/TNQ	9532/TN	3
850x600	9082T/TN	9002SD	9782/TNQ	9782/TN	3
M4 630					
600x600	9062T/TN	9004SD	9532/TNQ	9532/TN	2
850x600	9082T/TN	9004SD	9782/TNQ	9782/TN	3

Item code	MEGATIKER INTERLOCKED				
WxH (mm)	Fork		Plate	Front panel	Lock
M1 160					
600x300	91830AN	9061TBFME	9160SFB	9533/24	9531RMEN*
M2 250					
600x400	91830AN	9061TME	9250SFB		9531/RME
M160÷250E					
600x400	91830AN**		9531P/02I	-	9531/TNI
M4 630					
600x400	91830AN**		9531P/04I	-	9531/TNI

*Height 400

** to be used only with motor operator

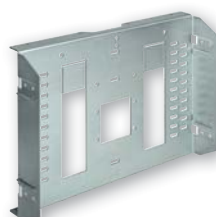
MEGABREAK INSTALLATION		
WxH (mm)	Plate	Lock panel
FRAME 1		
600x600	9533P6F	9533C6F1
850x600	9533P8F	9533C8F2
FRAME 2		
600x600	9533P6F	9533C6F2
850x600	9533P8F	9533C8F2

MAS 4000

Panels and plates for fixed version with FRONT terminals - HORIZONTAL version



9541P160N



9541P/12FI



9541/12

Item code	MEGATIKER INSTALLATION		
Circuit breakers	WxH (mm)	Plate	Screw panel
M1 160	600x150	9541P160N	9541ME160N
	850x150	9741P160N	9741ME160N
M2 250	600x200	9541P250N	9541ME250N
	850x200	9741P250N	9741ME250N
M160÷250E	600x200	9541P/02	9541/02
	850x200	9741P/02	9741/02
M4 630	600x300	9541P/04	9541/04
	850x300	9741P/04	9741/04
M5 1600	600x400	9531P/12	9541/12
	850x400	9781P/12	9741/12

MEGATIKER WITH EARTH LEAKAGE			
Circuit breakers	WxH (mm)	Plate	Screw panel
M160÷250E + GL160-250	600x200	9541P/02	9541/02
	850x200	9741P/02	9741/02
M4 630 + G400-630	600x300	9541P/04	9541/04
	850x300	9741P/04	9741/04

MEGATIKER WITH EARTH LEAKAGE AND ROTARY HANDLE				
Circuit breakers	WxH (mm)	Plate	Screw panel	Panel 1/4 turn
M1 160	600x150	9541P160N	9541ME160N	-
M2 250	600x200	9541P250N	9541ME250N	9541RMEN
M160÷250E	600x200	9541AP/02	9541/02	-
M4 630E	600x300	9541AP/04	9541/04CM	-
M5 1600ES**	600x400	9541AP/12*	9541/12CM	-

* to be drilled when installing
** without earth leakage

MEGATIKER WITH EARTH LEAKAGE AND MOTOR OPERATOR			
Circuit breakers	WxH (mm)	Plate	Front panel Screw
M160÷250E	600x200	9541AP/02	9541/02
M4 630	600x300	9541AP/04	9541/04CM
M5 1600	600x400	9541AP/12	9541/12CM

Item code	FRONT PANELS FOR MEGATIKER INTERLOCKED				
Circuit breakers	WxH (mm)	Fork	Plate	Screw panel	Lock
M160÷250E	600x400	91830AN (X2)	9541P/02I		9541/TNI
M4 630	600x400	91830AN (X2)	9541P/04I		9541/TNI
M5 1600	600x400		9541P/12FI	9541/12 (x2)	

NOTE: the rotary handle can only be mounted on circuit breakers M630-1600E with screw panel 9541/12CM

FRONT PANELS FOR INTERLOCKED MEGATIKER WITH MOTOR OPERATOR					
Circuit breakers	WxH (mm)	Fork	Plate	Lock panel	
M160÷250E	600x400	91830AN (X2)	9541P/02I	9541/TNI	
M4 630	600x400	91830AN (X2)	9541P/04I	9541/TNI	

MEGASWITCH INSTALLATION				
Circuit breakers	WxH (mm)	Plate	Screw panel	N° MEGASWITCH
MW250	600x300	9591PMW2	9591MW2	1
MW630	600x400	9591PMW4	9591MW4	1
MW1600	600x400	9531P/12	9591MW12	1

MAS 4000

Panels and plates for fixed version with REAR terminals - HORIZONTAL version



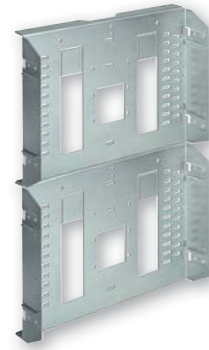
9541AP/12



9541/12CM



91830AN



9541P/12FI



9591PMW2



9591MW2

Item code	MEGATIKER AND MEGATIKER WITH EARTH LEAKAGE				
	Circuit breakers	WxH (mm)	Plate	Screw panel	Lock
M1 160	600x200	9541AP160N	9541ME250N	9541RMEN	
M2 250	600x200	9541P250N	9541ME250N	9541RMEN	
M160÷250E	600x200	9541AP/02	-	9541/02**	
M4 630	600x300	9541AP/04	-	9541/04**	
M5 1600	600x400	9541AP/12*	-	9541/12**	

* 2 forks item 91830AN must be used

** Front panel with screw

Item code	MEGATIKER WITH EARTH LEAKAGE AND ROTARY HANDLE			
	Circuit breakers	WxH (mm)	Plate	Screw panel
M160÷250E	600x200	9541AP/02	9541/02	
M4 630	600x300	9541AP/04	9541/04CM	
M5 1600	600x400	9541AP/12*	9541/12CM	

* 2 forks item 91830AN must be used

Item code	MEGATIKER WITH EARTH LEAKAGE AND MOTOR OPERATORS				
	Circuit breakers	WxH (mm)	Plate	Screw panel	Lock
M1 160	600x200	9541AP160N	9541ME250N	9541RMEN	
M2 250	600x200	9541P250N	9541ME250N	9541RMEN	
M160÷250E	600x200	9541AP/02	-	9541/02**	
M4 630	600x300	9541AP/04	-	9541/04CM**	
M5 1600	600x400	9541AP/12	-	9541/12CM**	

** Front panel with screw

Item code	MEGATIKER INTERLOCKED						
	Circuit breakers	WxH (mm)	Fork	Chassis	Plate	Screw panel	Lock
M1 160	600x400	91830AN	9541TBME	9160SFB		9541BME	
M2 250	600x400	91830AN	9541TBME	9250SFB		9541BME	
M160÷250E	600x400	91830AN (X2)		9541P/02I		9541/TNI	
M4 630	600x400	91830AN (X2)		9541P/04I		9541/TNI	
M5 1600	600x400			9541P/12FI	9541/12 (X2)		

Item code	INTERLOCKED MEGATIKER WITH MOTOR OPERATOR						
	Circuit breakers	WxH (mm)	Fork	Chassis	Plate	Screw panel	Lock
M1 160	600x400			9541TBME	9160SFB		9541BME
M2 250	600x400			9541TBME	9250SFB		9541BME
M160÷250E	600x400	91830AN (X2)		9541P/02I		9541/TNI	
M4 630	600x400	91830AN (X2)		9541P/04I		9541/TNI	

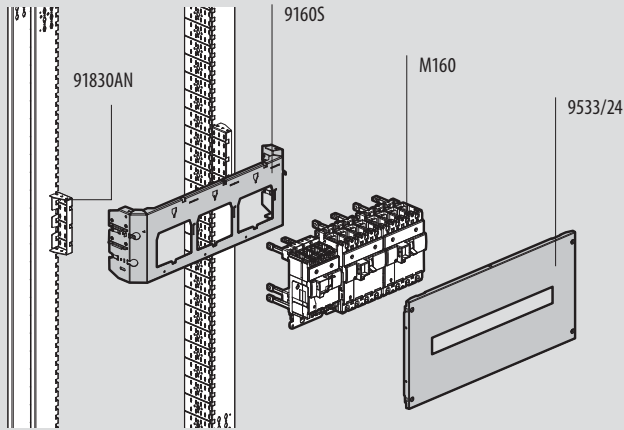
Item code	MEGASWITCH INSTALLATION				
	Circuit breakers	WxH (mm)	Plate	Screw panel	N° MEGASWITCH
MW250	600x300	9591PMW2		9591MW2	1
MW630	600x400	9591PMW4		9591MW4	1
MW1600	600x400	9531P/12		9591MW12	1

MAS 4000

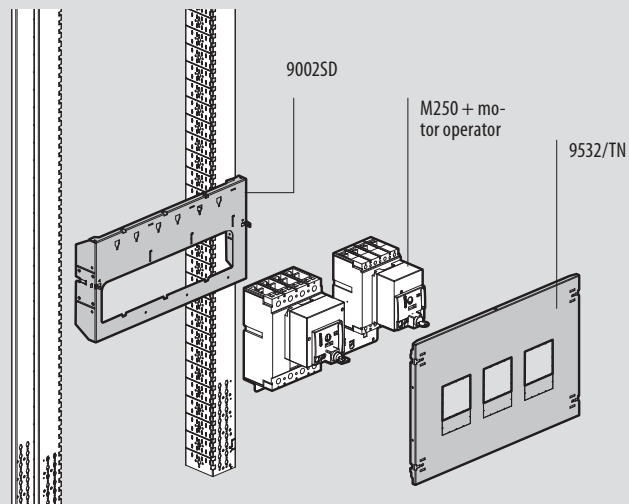
Installation of MEGATIKER circuit breakers in fixed version

Vertical version

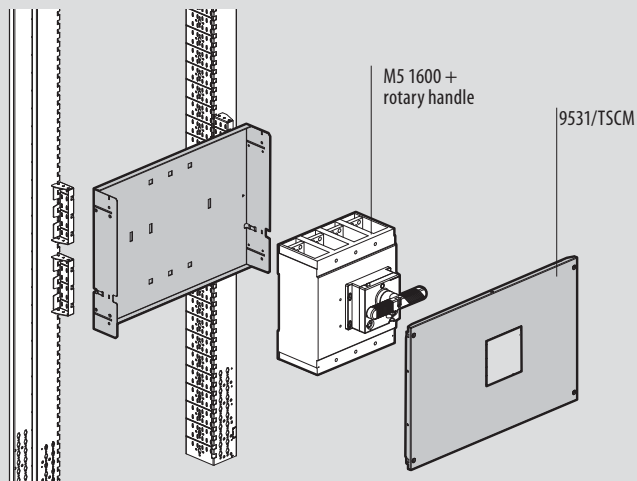
M1 160 - M2 250



M160 - 250

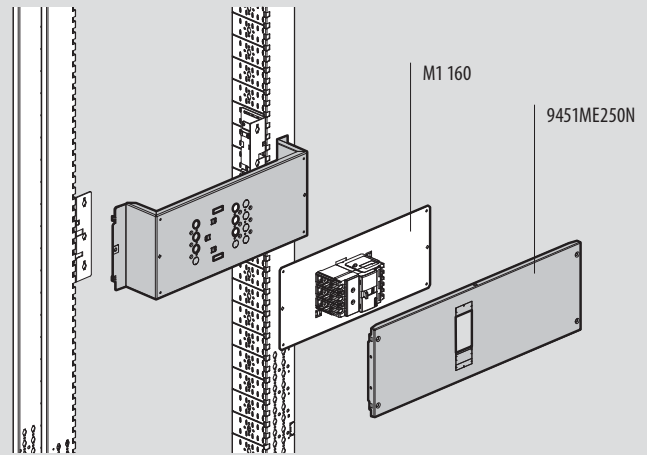


M5 1600

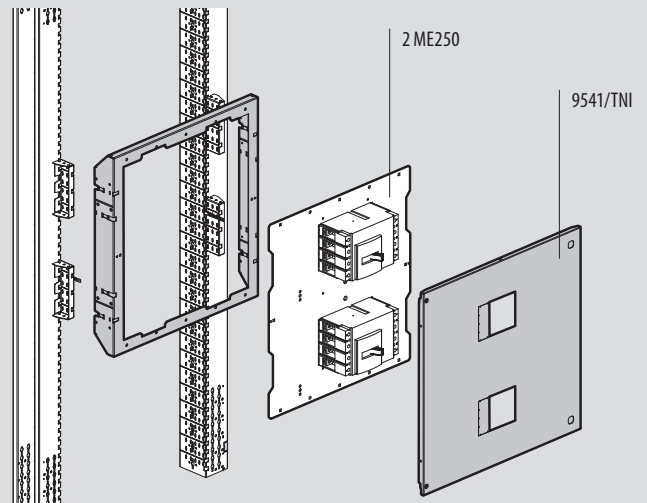


Horizontal version

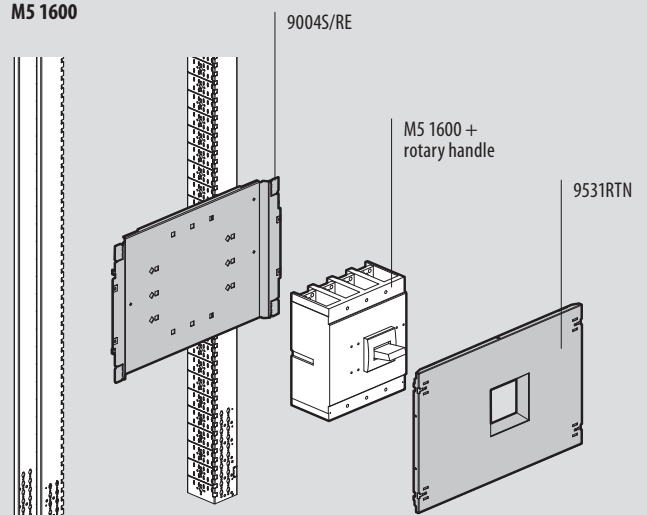
M1 160 - M2 250



M160 - 250



M5 1600



MAS 4000

Panels and plates for plug-in version with FRONT and REAR terminals - VERTICAL version



Item code	MEGATIKER				
	Fork	Chassis	Plate	Lock panel	N° max Mccbs
M1 160					
600x400	91830AN	9061TRME	9160SR	9541RMEN	
M2 250					
600x400	91830AN	9061TRME	9250SR	9541RMEN	
M160÷250E					
600x400		9061TR/TN	9002S/RE	9531/RTN	3
M4 630					
600x400		9061TR/TN	9004S/RE	9531/RTN	2

WxH (mm)	MEGATIKER WITH EARTH LEAKAGE				
	Fork	Chassis	Plate	Lock panel	N° max Mccbs
M1 160					
600x400	91830AN	9061TRME	9160SR	9541RMEN	
M2 250					
600x400	91830AN	9061TRME	9250SR	9541RMEN	
M160÷250E					
600x600		9062TR/TN	9002SD/RE	9532/RTN	3
M4 630					
600x600		9062TR/TN	9004SD/RE	9532/RTN	2

WxH (mm)	MEGATIKER WITH ROTARY HANDLE				
	Chassis	Plate	Lock panel	N° max Mccbs	
M1 160					
600x400	9061TRME	9160SR	9531N24MR		
M2 250					
600x400	9061TRME	9250SR	9531N24MR		
M160÷250E					
600x400	9061TR/TN	9002S/RE	9531/RTN	3	
M4 630					
600x400	9061TR/TN	9004S/RE	9531/RTN	2	

Item code	MEGATIKER WITH EARTH LEAKAGE AND ROTARY HANDLE				
	Chassis	Plate	Lock panel	N° max Mccbs	
M1 160					
600x400	9061TRME	9160SR	9531N24MR		
M2 250					
600x400	9061TRME	9250SR	9531N24MR		
M160÷250E					
600x600	9062TR/TN	9002SD/RE	9532/RTN	3	
M4 630					
600x600	9062TR/TN	9004SD/RE	9532/RTN	2	

WxH (mm)	MEGATIKER WITH MOTOR OPERATOR				
	Fork	Chassis	Plate	Lock panel	N° max Mccbs
M1 160					
600x400	91830AN	9061TRME	9160SR	9541RMEN	
M2 250					
600x400	91830AN	9061TRME	9250SR	9541RMEN	
M160÷250E					
600x400		9061TR/TN	9002S/RE	9531/RTN	3
M4 630					
600x400		9061TR/TN	9004S/RE	9531/RTN	2

WxH (mm)	MEGATIKER WITH EARTH LEAKAGE AND MOTOR OPERATOR				
	Fork	Chassis	Plate	Lock panel	N° max Mccbs
M1 160					
600x400	91830AN	9061TRME	9160SR	9541RMEN	
M2 250					
600x400	91830AN	9061TRME	9250SR	9541RMEN	
M160÷250E					
600x600		9062TR/TN	9002SD/RE	9532/RTN	3
M4 630					
600x600		9062TR/TN	9004SD/RE	9532/RTN	2

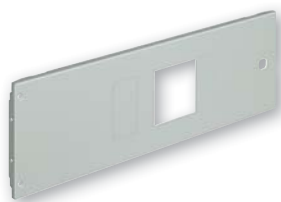
WxH (mm)	MEGATIKER INTERLOCKED			
	Fork	Chassis	Plate	Lock panel
M1 160				
600x400	91830AN	9061TBRME	9160SRB	9051RMEN
M2 250				
600x400	91830AN	9061TBRME	9250SRB	9051RMEN
M160÷250E				
600x400			9531P/02I	9531/TNI
M4 630				
600x400			9531P/04I	9531/TNI

MAS 4000

Panels and plates for plug-in version with FRONT and REAR terminals - HORIZONTAL version



9541P/02R



9541/02R

Item code	MEGATIKER AND MEGATIKER WITH EARTH LEAKAGE			
Circuit breakers	WxH (mm)	Plate	Lock panel	N° max Mcbcs
M1 160	600x200	9541PR160N	9541ME250N	1
M2 250	600x200	9541PR250N	9541ME250N	1
M160÷250E	600x200	9541P/02R	9541/02R	1
M4 630	600x300	9541P/04RE	9541/04R	1

MEGATIKER WITH ROTARY HANDLE

Circuit breakers	WxH (mm)	Plate	Lock panel	N° max Mcbcs
M160÷250E	600x200	9541P/02R	9541/02R	1
M4 630	600x300	9541P/04RE	9541/04ECM*	1

MEGATIKER WITH MOTOR OPERATOR

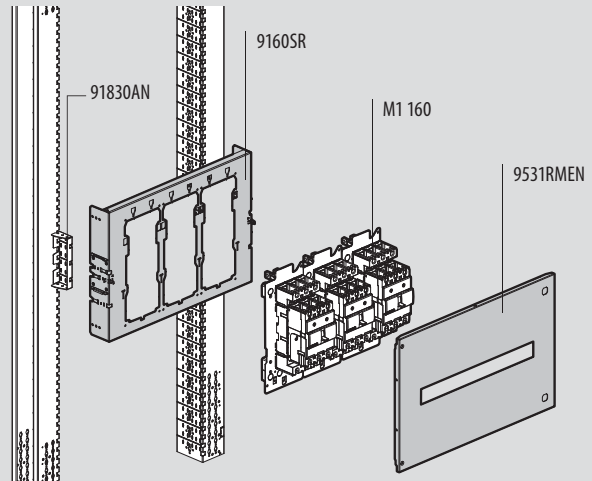
Circuit breakers	WxH (mm)	Plate	Lock panel	N° max Mcbcs
M1 160	600x200	9541PR160N	9541ME250N	1
M2 250	600x200	9541PR250N	9541ME250N	1
M160÷250E	600x200	9541P/02R	9541/02R	1
M4 630	600x300	9541P/04RE	9541/04R	1

MEGATIKER INTERLOCKED

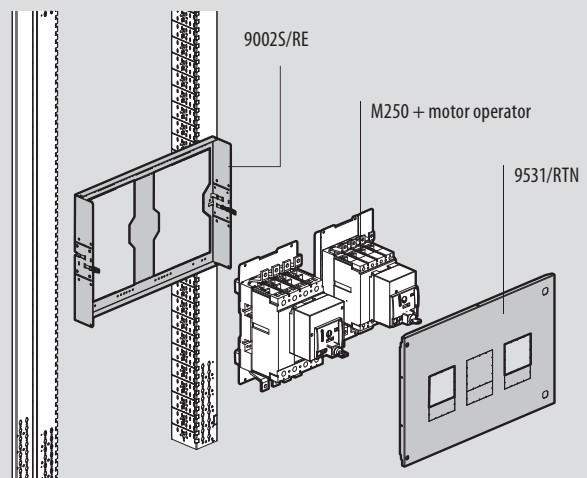
Circuit breakers	WxH (mm)	Fork	Chassis	Plate	Lock
M1 160*	600x400	91830AN	9541TBRME	9160SRB	9541BME
M2 250*	600x400	91830AN	9541TBRME	9250SRB	9541BME
M160÷250E	600x400			9541P/02I	9541/TNI
M4 630	600x400			9541P/04I	9541/TNI

* Also with motor operator

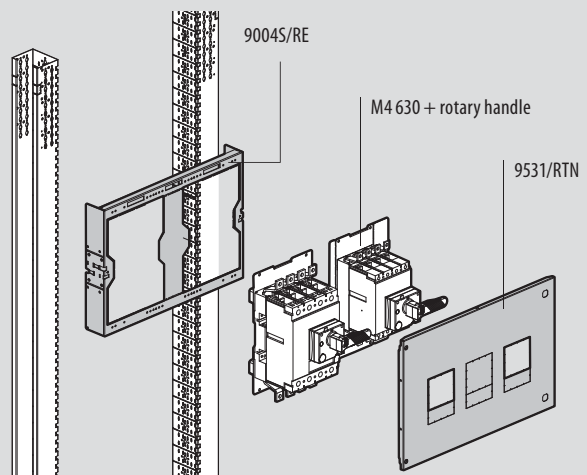
M1 160 PLUG-IN VERTICAL



M 250 PLUG-IN + MOTOR OPERATOR

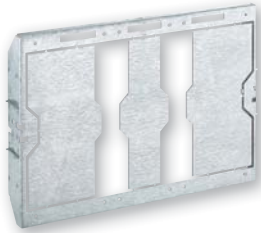


M4 630 PLUG-IN WITH ROTARY HANDLE

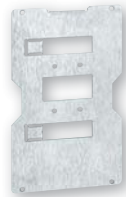


MAS 4000

Panels and plates for draw-out version with FRONT and REAR terminals - VERTICAL version



9061TR/TN



9002S/RE



9531P/02I



9531/TNEI



MT7357PC

Item code MEGATIKER

WxH (mm)	Fork	Chassis	Plate	Lock panel	Cover plate	N° max Mccbs
M160÷250E						
600x400	91830AN	9061TR/TN	9002S/RE	9531/ETN	MT7357PC	1
M4 630						
600x400	91830AN	9062TR/TN	9004S/RE	9531/ETN	MT7457PC	1
M5 1600						
600x400			9531P/12E	9531/12E		1

Item code MEGATIKER WITH MOTOR OPERATOR

WxH (mm)	Fork	Chassis	Plate	Lock panel	N° max Mccbs
M160÷250E					
600x400	91830AN	9061TR/TN	9002S/RE	9531/02ECM	1
M4 630					
600x400	91830AN	9062TR/TN	9004S/RE	9531/04ECM	1
M5 1600					
600x400			9531P/12E	9531/12ECM	1

MEGATIKER WITH EARTH LEAKAGE

WxH (mm)	Fork	Chassis	Plate	Lock panel	Cover plate	N° max Mccbs
M160÷250E						
600x400	91830AN	9062TR/TN	9002SD/RE	9532/ETN	MT7357PC+ MT7457PC/D	1
M4 630						
600x400	91830AN	9062TR/TN	9004S/RE	9532/ETN	MT7457PC+ MT7457PC/D	1

MEGATIKER WITH EARTH LEAKAGE AND MOTOR OPERATOR

WxH (mm)	Fork	Chassis	Plate	Lock panel	N° max Mccbs
M160÷250E					
600x400	91830AN	9062TR/TN	9002SD/RE	9532/02ECM	1
M4 630					
600x400	91830AN	9062TR/TN	9004S/RE	9532/04ECM	1

MEGATIKER WITH ROTARY HANDLE

WxH (mm)	Fork	Chassis	Plate	Lock panel	Cover plate	N° max Mccbs
M160÷250E						
600x400	91830AN	9061TR/TN	9002S/RE	9531/ETN	MT7357PC	1
M4 630						
600x400	91830AN	9062TR/TN	9004S/RE	9531/ETN	MT7457PC	1
M630÷1600ES						
600x400			9531P/12E	9531/12ECM		

MEGATIKER INTERLOCKED

WxH (mm)	Fork	Chassis	Lock panel	Cover plate
M160÷250E				
600x400	91830AN	9531P/02I	9531/TNEI	MT7357PC (X2)
M4 630				
600x400	91830AN	9531P/04I	9531/TNEI	MT7457PC (X2)

MEGATIKER WITH EARTH LEAKAGE AND ROTARY HANDLE

WxH (mm)	Fork	Chassis	Plate	Lock panel	Cover plate	N° max Mccbs
M160÷250E						
600x400	91830AN	9062TR/TN	9002SD/RE	9532/ETN	MT7357PC+ MT7457PC/D	1
M4 630						
600x400	91830AN	9062TR/TN	9004S/RE	9532/ETN	MT7457PC+ MT7457PC/D	1

INTERLOCKED MEGATIKER WITH MOTOR OPERATOR

WxH (mm)	Fork	Chassis	Lock panel
M160÷250E			
600x400	91830AN	9531P/02I	9531/02ECM
M4 630			
600x400	91830AN	9531P/04I	9531/04ECMI

MAS 4000

Panels and plates for draw-out version with FRONT and REAR terminals - HORIZONTAL version



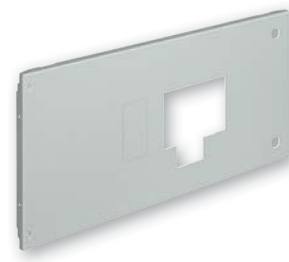
9541P/12E



9541/12E



9541P/02E



9541/02ECM

Item code	MEGATIKA		
WxH (mm)	Plate	Lock panel	Cover plate
M160÷250E			
600x400	9541P/02E	9541/ETN	MT7357PC+MT7457PC/D
M4 630			
600x400	9541P/04RE	9541/04E	MT7457PC+MT7457PC/D
M5 1600			
600x400	9541P/12E	9541/12E	

Item code	MEGATIKA WITH MOTOR OPERATOR		
WxH (mm)	Plate	Lock panel	
M160÷250E			
600x400	9541P/02E	9541/02ECM	
M4 630			
600x400	9541P/04RE	9541/04ECM	
M5 1600			
600x400	9541P/12E	9541/12ECM	

MEGATIKA WITH EARTH LEAKAGE			
WxH (mm)	Plate	Lock panel	Cover plate
M160÷250E			
600x400	9541P/02E	9541/ETN	MT7357PC+MT7457PC/D
M4 630			
600x400	9541P/04RE	9541/04E	MT7457PC+MT7457PC/D

MEGATIKA WITH EARTH LEAKAGE AND MOTOR OPERATOR		
WxH (mm)	Plate	Lock panel
M160÷250E		
600x600	9541P/02E	9541/02ECM
M4 630		
600x600	9541P/04RE	9541/04ECM

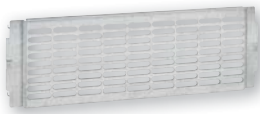
MEGATIKA WITH ROTARY HANDLE			
WxH (mm)	Plate	Lock panel	Cover plate
M160÷250E			
600x400	9541P/02E	9541/ETN	MT7357PC+MT7457PC/D
M4 630			
600x400	9541P/04RE	9541/04E	MT7457PC+MT7457PC/D
M5 1600			
600x400	9541P/12E	9541/12E	

MEGATIKA INTERLOCKED					
WxH (mm)	Fork	Chassis	Plate	Lock panel	Cover plate
M160÷250E					
600x400	91830AN (X2)	9541P/02I		9541/TNEI	MT7357PC (X2)
M4 630					
600x400	91830AN (X2)	9541P/04I		9541/TNEI	MT7457PC (X2)
M5 1600					
600x400			9541P/12EI	9541/12E (X2)	

MEGATIKA WITH EARTH LEAKAGE AND ROTARY HANDLE			
WxH (mm)	Plate	Lock panel	Cover plate
M160÷250E			
600x400	9541P/02E	9541/ETN	MT7357PC+MT7457PC/D
M4 630			
600x400	9541P/04RE	9541/04E	MT7457PC+MT7457PC/D

INTERLOCKED MEGATIKA WITH MOTOR OPERATOR				
WxH (mm)	Fork	Chassis	Plate	Lock panel
M160÷250E				
600x400	91830AN (X2)	9541P/02I		9541/02ECM
M4 630				
600x400	91830AN (X2)	9541P/04I		9541/04ECM
M5 1600				
600x400			9541P/12EI	9541/12ECM (X2)

MAS 4000 Plates, blank panels and panels for ventilation



68860N



9527PL



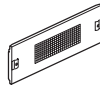
9531

Item code	BLANK FRONT PANELS		Height (mm)	Width (mm)
1/4 turn	Screw	Lock		
9527PL*			50	600
9529PL*			150	600
9530PL*			200	600
9527Q	9527		50	600
9528Q	9528		100	600
9529Q	9529		150	600
9530Q	9530	9530CS	200	600
9533Q	9533N	9533CS	300	600
9531Q	9531	9531CS	400	600
9532Q	9532	9532CS	600	600
9777Q	9777		50	850
9778Q	9778		100	850
9779Q	9779		150	850
9780Q	9780		200	850
9783Q	9783		300	850
9781Q	9781		400	850
9782Q	9782		600	850

* Plastic

FRONT PANELS FOR NATURAL VENTILATION

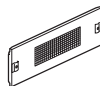
Screw	Height (mm)	Width (mm)
9530A	200	600
9780A	200	850



FRONT PANELS FOR FORCED VENTILATION

With motor operator 220 / 240V - 50/60Hz - 18VA - 160m³/h

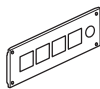
Screw	Height (mm)	Width (mm)
9530AV	200	600
9780AV	200	850



FRONT PANELS FOR METERING INSTRUMENTS (96X96 mm)

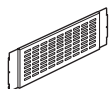
For three ammeters, a voltmeter and a voltmeter selector switch.

	Height (mm)	Width (mm)
9530SNC	200	600
9780SNC	200	850



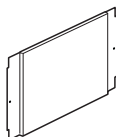
SLOTTED PLATES

	Height (mm)	Width (mm)
68860N	200	600
68868N	200	850
68864N	400	600



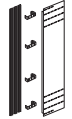
METAL SHEET INTERNAL PLATES

	Height (mm)	Width (mm)
9540L	200	600
9545L	400	600
9546L	600	600
9554L	1000	850
9543L	400	850
9544L	600	850
9556L	1000	600



Separation components - front access

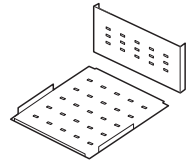
Item code	HDX - 2B, 3B/4A FORMS: VERTICAL SEPARATION KIT
	Separation of the busbar compartment (external or internal) from the functional units. The rear side is in metal sheet, the front is in plastic and allows the passage of the connection straps to supply the circuit breakers, guaranteeing the IP20.
91840/SBV	vertical separation kit for busbar side 2B form and greater, depth 350 mm
91845/SBV	vertical separation kit for busbar side 2B form and greater, depth 600 mm



HDX - 2B, 3B/4A FORMS: UPPER SEPARATION FOR HORIZONTAL BUSBARS

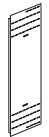
To separate the horizontal busbars which are connected to adjacent columns. The kits are 300 mm high with knockout to adapt to height 200 mm

91840/2SB0	separation kit for horizontal busbar width 250 mm depth 350 mm
91840/3SB0	separation kit for horizontal busbar width 350 mm depth 350 mm
91840/6SB0	separation kit for horizontal busbar width 600 mm depth 350 mm
91845/2SB0	separation kit for horizontal busbar width 250 mm depth 600 mm
91845/3SB0	separation kit for horizontal busbar width 350 mm depth 600 mm
91845/6SB0	separation kit for horizontal busbar width 600 mm depth 600 mm



HDX - 2B, 3B/4A FORMS: VERTICAL SEPARATION COMPONENTS BETWEEN COLUMNS

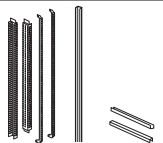
91840/3PSH	vertical separation panel between side-by-side columns in the forms 3A and 4B, height 2000mm, depth 350 mm
91840/6PSH	vertical separation panel between side-by-side columns in the forms 3A and 4B, height 2000mm, depth 600 mm



HDX - FORMS 2B, 3B/4A FUNCTIONAL PLATES

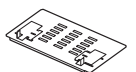
To be used instead of functional plates 91831A to make an internal busbar compartment in cabinets 850 mm wide, needed to achieve the forms of separation with front access.

	Depth (mm)
91840/8MH	350
91845/8MH	600



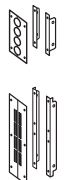
HDX - 3B/4A FORMS: HORIZONTAL SEPARATOR SHELVES

91840/SS	separator between the circuit breaker plates (width 600 mm)
91840/SSE	base/top separator (width 600 mm)



HDX - 3B/4A FORMS: SIDE CLOSURE

91840/2SL	side closure and wire outlet 3B/4A form height 200 mm
91840/3SL	side closure and wire outlet 3B/4A form height 300 mm
91840/4SL	side closure and wire outlet 3B/4A form height 400 mm
91840/K12	side closure and wire outlet 3B/4A form for MEGATIKER M630/1600

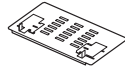


MAS 4000

Separation components - rear access

Item code	HDX - 2A, 3A, 3B AND 4B FORMS: HORIZONTAL SEPARATOR SHELVES
91840/SS*	separator between the circuit breaker plates (width 600 mm)
91840/SSE	base/top separator (width 600 mm)
91855/SS	separator between the circuit breaker plates (width 850 mm)
91855/SSE	base/top separator (width 850 mm)

* for the 2A form, only where necessary



HDX - 3B FORM: VERTICAL INLET/OUTLET SEPARATION COMPONENTS	
To separate vertical busbars with the power supply at the circuit breaker inlet terminals from the circuit breaker outlets	

91850/6SV	kit for the vertical separation between the inlets and outlets in form 3A, height 2000 mm, depth 600 mm
91850/8SV	kit for the vertical separation between the inlets and outlets in form 3A, height 2000 mm, depth 850 mm



HDX - 3B FORM: ADAPTABLE CIRCUIT BREAKER INLET/OUTLET SEPARATION COMPONENTS	
---	--

To separate the circuit breaker inlet and outlet terminals. The components are pre-cut to adapt them to their depths and are fastened on kit 91850/...S

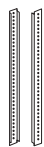
91850/2SE	vertical separation kit for circuit breaker inlet/outlet height 200 mm
91850/3SE	vertical separation kit for circuit breaker inlet/outlet height 300 mm
91850/4SE	vertical separation kit for circuit breaker inlet/outlet height 400 mm



HDX - 3A, 3B AND 4B FORMS: VERTICAL SEPARATION COMPONENTS	
---	--

Height (mm)

91850/CF	Pair of separation boards between risers and functional plates in cabinets 2000 mm high for form 3A and 4B
----------	--



HDX - 3A, 3B AND 4B FORMS: VERTICAL SEPARATION COMPONENTS	
---	--

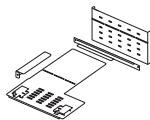
91840/3PSH	vertical separation panel between side-by-side columns in the forms 3A and 4B, height 2000mm, depth 350 mm
91840/6PSH	vertical separation panel between side-by-side columns in the forms 3A and 4B, height 2000mm, depth 600 mm



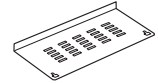
HDX - 3A, 3B AND 4B FORMS: OMNIBUS HORIZONTAL SEPARATION	
--	--

To separate the upper horizontal crossing of the busbars in the column

91850/6CS	upper closure for omnibus in cabinets with depth 600 mm
91850/8CS	upper closure for omnibus in cabinets with depth 850 mm



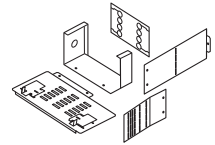
HDX - 4B FORMS: BOTTOM SEPARATION FOR BUSBAR COMPARTMENT	
91850/6SF	bottom busbar closing shelf in cabinets with depth 600 mm
91850/8SF	bottom busbar closing shelf in cabinets with depth 850 mm



HDX - 4B FORM: SEPARATION CELLS FOR CIRCUIT BREAKERS

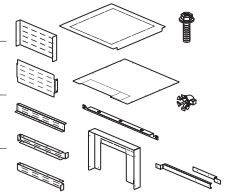
The cell is selected on the basis of the height of the plate on which the circuit breaker will be mounted

91850/2CE	separation cell height 200mm
91850/3CE	separation cell height 300mm
91850/4CE	separation cell height 400mm



HDX - 4B FORM: MEGABREAK SEPARATION CELLS

91851/KF2	MEGABREAK separation kit frame 1 form 2
91851/KF4	MEGABREAK separation kit frame 1 form 3 and 4
91852/KF2	MEGABREAK separation kit frame 2 form 2
91852/KF4	MEGABREAK separation kit frame 2 form 3 and 4



HDX - 4B FORM: CELL EXTENSIONS FOR GENERIC SEPARATION

To be used when extending the circuit breaker outlet modules

91850/2EP	extension component for separation cell height 200mm, depth 850 mm
91850/3EP	extension component for separation cell height 300mm, depth 850 mm
91850/4EP	extension component for separation cell height 400mm, depth 850 mm



HDX - 4B FORM: EMPTY CELLS

Separation of the busbar side where a normal separation cell will not be mounted

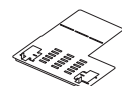
91850/6CV	empty separation cell height 200 mm, depth 600 mm
91850/8CV	empty separation cell height 200 mm, depth 850 mm



HDX - 4B FORM: CLOSING TOP FOR SEPARATION CELLS

To be used for the upper closure of the separation cell

91850/CT	upper closure for separation cells
----------	------------------------------------



HDX - 4B FORM: REAR CLOSURE

To be used for the rear closure of the separation cell

91850/CP	rear closure of busbar compartment side height 2000 mm
----------	--



BTicino SpA
Viale Borri, 231
21100 Varese - Italia
www.bticino.com

bticino
A Group Brand |  **legrand**

In accordance with its policy of continuous improvement, the Company reserves the right to change specifications and designs without notice. All illustrations, descriptions, dimensions and weights in this catalogue are for guidance and cannot be held binding on the Company.

AD-EX-MA4000-2016C - 07/2016