

# MAS400

A Group Brand |  legrand

## Distribution boards and cabinets



**bticino**

# PLATES AND FRONT PANELS

## Table of choice

Circuit breaker	Version	Position	Configuration	Terminals	Plate/DIN35 rail	MAS400 WIDTH 600 mm (24 MODULES)				
						Metal front panels			Plastic front panels	
						Height (mm)	1/4 turn	Screw	Height (mm)	1/4 turn
BT DIN					93600NC	150	9529/24Q	9529/24	150	9529/24PL
						200	9531/24Q	9531/24	200	9531/24PL
						300	9533/24Q	9533/24	300	9533/24PL
M1-M2 for DIN35 rail					9531PCMEN	300	9533/24Q	9533/24		
MW63÷MW160*					93600NC	200	9531/24Q	9531/24	200	9531/24PL
						300	9533/24Q	9533/24	300	9533/24PL
M160 ÷ 250	fixed	vertical	without earth leakage	front	9531PC/TN	400	9531/TNQ	9531/TN	400	9531/TNPL
			with earth leakage	front	9532PC/TN	600	9532/TNQ	9532/TN	600	9532/TNPL
M4 630	fixed	vertical	without earth leakage	front	9531PC/TN	400	9531/TNQ	9531/TN	400	9531/TNPL
			with earth leakage	front	9532PC/TN	600	9532/TNQ	9532/TN	600	9532/TNPL
MW250*	fixed	vertical	1 MW central	front	9561PC/W	300	9561/1WQ	9561/1W		
			1 or 2 MW	front	9561PC/W	300	9561/2WQ	9561/2W		
MW630*	fixed	vertical	1 MW central	front	9561PC/SW	300	9561/SWQ	9561/SW		

\* On LDX400 and LDX-P with IP protection index  $\geq 40$ , the installation of MEGASWITCH disconnectors can be made only using the curved door.  
On MDX400 the installation can be made with the flat door

MAS400 WIDTH 850 mm (36 MODULES)				
Metal front panels				
Plate/DIN35 rail	Height (mm)	1/4 turn	Screw	
93800NC	150	9779/36Q	9779/36	
	200	9780/36Q	9780/36	
	300	9783/36Q	9783/36	
9781PCMEN	300	9783/36Q	9783/36	
93800NC	200	9780/36Q	9780/36	
	300	9783/36Q	9783/36	
9781PC/TN	400	9781/TNQ	9781/TN	
9782PC/TN	600	9782/TNQ	9782/TN	
9781PC/TN	400	9781/TNQ	9781/TN	
9782PC/TN	600	9782/TNQ	9782/TN	
9761PC/W	300	9761/1WQ	9761/1W	
9761PC/W	300	9761/2WQ	9761/2W	
9761PC/SW	300	9761/SWQ	9761/SW	

# MAS 400

## LDX Distribution boards, cabinets and doors



Item code **LDX400 DISTRIBUTION BOARD IN METAL SHEET**

	Height		Width		Depth (mm)
	External (mm)	Internal (mm)	External (mm)	Internal (mm)	
<b>93630Q</b>	650	600	660	600	175
<b>93640Q</b>	850	800	660	600	175
<b>93650Q</b>	1050	1000	660	600	175
<b>93660Q</b>	1250	1200	660	600	175
<b>93850Q</b>	1050	1000	910	850	175
<b>93860Q</b>	1250	1200	910	850	175

**LDX-P DISTRIBUTION BOARD PLASTIC (PVC)**

<b>93630PL</b>	650	600	660	600	175
<b>93640PL</b>	850	800	660	600	175
<b>93650PL</b>	1050	1000	660	600	175
<b>93660PL</b>	1250	1200	660	600	175

**LDX400 CABINETS METAL SHEET**

<b>93670Q</b>	1550	1400	660	600	175
<b>93680Q</b>	1750	1600	660	600	175
<b>93690Q</b>	1950	1800	660	600	175
<b>93690Q/10</b>	2150	2000	660	600	175
<b>93870Q</b>	1550	1400	910	850	175
<b>93880Q</b>	1750	1600	910	850	175
<b>93890Q</b>	1950	1800	910	850	175
<b>93890Q/10</b>	2150	2000	910	850	175

External busbar compartment

<b>93370QBE</b>	1550	1400	410	350	175
<b>93380QBE</b>	1750	1600	410	350	175
<b>93390QBE</b>	1950	1800	410	350	175
<b>93390QBE/10</b>	2150	2000	410	350	175

Additional plinth

<b>93300QZ</b>	100	100	410	350	175
<b>93600QZ</b>	100	100	660	600	175
<b>93800QZ</b>	100	100	910	850	175

Item code **MDX400 DISTRIBUTION BOARD METAL SHEET IP65**

	Height		Width		Depth	
	External (mm)	Internal (mm)	External (mm)	Internal (mm)	External (mm)	Internal (mm)
<b>92630Q</b>	695	600	700	600	205	175
<b>92640Q</b>	895	800	700	600	205	175
<b>92650Q</b>	1095	1000	700	600	205	175
<b>92660Q</b>	1295	1200	700	600	205	175

Metal sheet doors

<b>92630L</b>	695	600	700	600
<b>92640L</b>	895	800	700	600
<b>92650L</b>	1095	1000	700	600
<b>92660L</b>	1295	1200	700	600

Glass doors

<b>92630V</b>	695	600	700	600
<b>92640V</b>	895	800	700	600
<b>92650V</b>	1095	1000	700	600
<b>92660V</b>	1295	1200	700	600

Item code **DOORS FOR CABINETS AND DISTRIBUTION BOARDS**

Metal sheet	Glass	Curved glass	Height (mm)	Width (mm)
<b>93630L</b>	<b>93630V</b>	<b>93630VB</b>	600	600
<b>93640L</b>	<b>93640V</b>	<b>93640VB</b>	800	600
<b>93650L</b>	<b>93650V</b>	<b>93650VB</b>	1000	600
<b>93660L</b>	<b>93660V</b>	<b>93660VB</b>	1200	600
<b>93670L</b>	<b>93670V</b>	<b>93670VB</b>	1400	600
<b>93680L</b>	<b>93680V</b>	<b>93680VB</b>	1600	600
<b>93690L</b>	<b>93690V</b>	<b>93690VB</b>	1800	600
<b>93690L/10</b>	<b>93690V/10</b>	<b>93690VB/10</b>	2000	600
<b>93850L</b>	<b>93850V</b>	<b>93850VB</b>	1000	850
<b>93860L</b>	<b>93860V</b>	<b>93860VB</b>	1200	850
<b>93870L</b>	<b>93870V</b>	<b>93870VB</b>	1400	850
<b>93880L</b>	<b>93880V</b>	<b>93880VB</b>	1600	850
<b>93890L</b>	<b>93890V</b>	<b>93890VB</b>	1800	850
<b>93890L/10</b>	<b>93890V/10</b>	<b>93890VB/10</b>	2000	850

Doors for external busbar compartment

<b>93370L</b>	1400	350
<b>93380L</b>	1600	350
<b>93390L</b>	1800	350
<b>93390L/10</b>	2000	350

Front panels for external busbar compartment

<b>93370P</b>	1400	350
<b>93380P</b>	1600	350
<b>93390P</b>	1800	350
<b>93390P/10</b>	2000	350

**KIT FOR INTERNAL BUSBAR COMPARTMENT WITH CLOSING PANEL**

Metal sheet	Height (mm)	Width (mm)	Depth (mm)
<b>93050QB</b>	1000	250	175
<b>93060QB</b>	1200	250	175
<b>93070QB</b>	1400	250	175
<b>93080QB</b>	1600	250	175
<b>93090QB</b>	1800	250	175
<b>93090QB/10</b>	2000	250	175

Note: KIT FOR INTERNAL BUSBAR COMPARTMENT only for 850 mm wide cabinets

### TECHNICAL FEATURES LDX400 AND MDX400

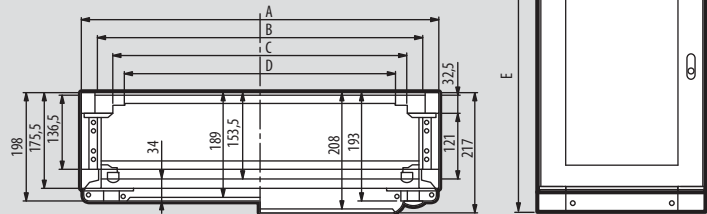
Reference standard	CEI 23-49 IEC EN 61439-1/2
Type of manufacture material	galvanised steel
Thickness (mm)	1,5
Colour	grey RAL 7035
Protection index	IP30 without door
	IP40 with door
	IP43 door + gasket + cable entry plates
	IP65 only for MDX **
Maximum rated current of the circuit breaker that can be installed In (A)	400 (250 only for MDX)
Maximum peak current Ipk (limited)* (kA)	35
Conditioned short circuit current Icc (kA)	50
Resistance to abrasion every 50 passages of the abrasive shoe (mm)	1
Heat resistance for hardened epoxy film (°C)	150
Max resistance to separation around an incision of the film after 100 hours in saline mist (mm)	1÷2
Relative dielectric constant (measured at 10 <sup>3</sup> Hz)	3.5÷4.5
Dielectric strength at 20° C (kV/mm)	38,5
Dielectric strength at 160° C (kV/mm)	20,6
Painting of the enclosures surfaces	epoxy polyester powder
Treatment of surfaces, supports, fasteners	passivated galvanising
Distance between glass and front panels(mm)	33 flat door / 52 curved door (43 flat door only for MDX)
Useful internal depth (plate/panel) (mm)	106

\* these values refer to a short circuit opened by a circuit breaker installed inside the container itself

\*\* For internal use

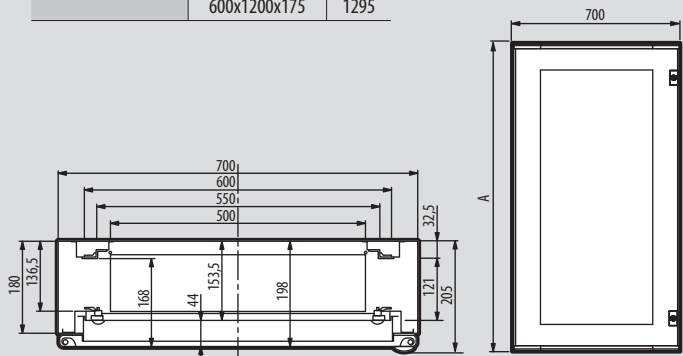
### LDX400

	Modular dimensions (LxAxP) (mm)	E	Cabinet width (mm)	Dimensions (mm)			
				A	B	C	D
Distribution boards	350x1400x175	1450	350	410	350	300	250
	350x1600x175	1650	600	660	600	550	500
	350x1800x175	1850	850	910	850	800	750
	350x2000x175	2050					
Cabinets (height including plinth)	600x800x175	850					
	600x1000x175	1050					
	600x1200x175	1250					
	600x1400x175	1550					
	600x1600x175	1750					
	600x1800x175	1950					
	600x2000x175	2150					
	850x1000x175	1050					
	850x1200x175	1250					
	850x1400x175	1550					
	850x1600x175	1750					
	850x1800x175	1950					
850x2000x175	2150						



### MDX400

Modular dimensions (LxAxP) (mm)	A
600x600x175	695
600x800x175	895
600x1000x175	1095
600x1200x175	1295



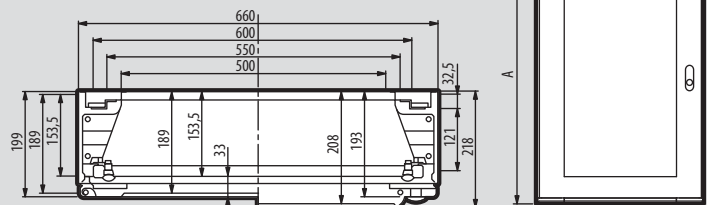
### TECHNICAL FEATURES LDX-P

Reference standard	CEI 23-49 IEC EN 61439-1/2
Type of enclosure	distribution board
Type of manufacture material	plastic
Thickness (mm)	7 (structures) / 2,5 (front panels)
Colour	grey RAL 7035
Protection index	IP30 without door
	IP40 with door
	IP43 door + gasket
Maximum rated current of the circuit breaker that can be installed In (A)	630 (single breaker board only)
Maximum peak current Ipk (limited)* (kA)	21
Conditioned short circuit current Icc (kA)	50
Painting of the enclosures surfaces	epoxy polyester powder
Treatment of surfaces, supports, fasteners	passivated galvanising
Distance between glass and front panels(mm)	31 flat door / 50 curved door
Useful internal depth (plate/panel) (mm)	106

\* these values refer to a short circuit opened by a circuit breaker installed inside the container itself

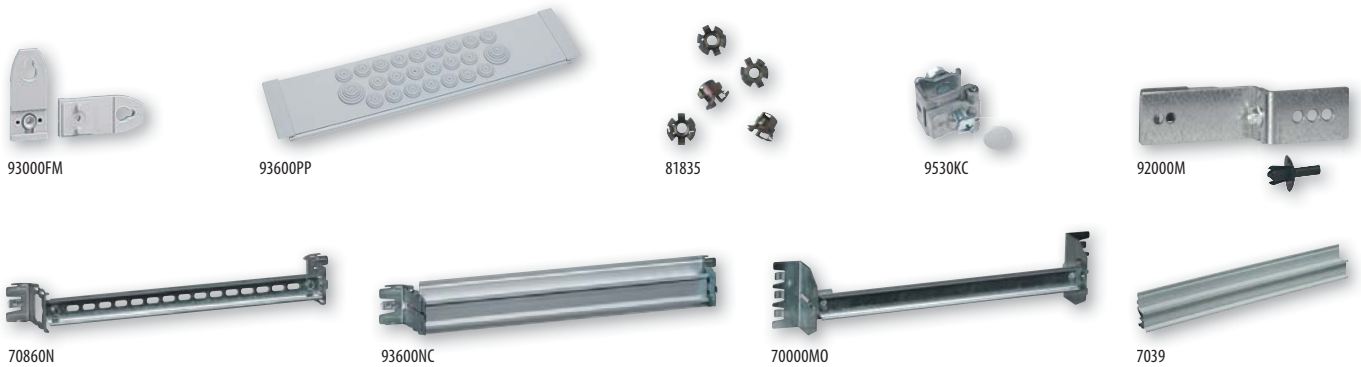
### LDX-P

Modular dimensions (LxAxP) (mm)	A
600x600x175	650
600x800x175	850
600x1000x175	1050
600x1200x175	1250



# MAS 400

## Accessories of installation



Item code	FONDO ATTIVO (LDX400-MDX400)
	Height (mm)
93630FA	600
93650FA	1000
93660FA	1200
93670FA	1400
93680FA	1600
93690FA	1800
93690FA/10	2000

CABLE ENTRY PLATES FOR LDX400	
	Width (mm)
93300PP	350
93600PP	600
93800PP	850

IP43 GASKET FOR DISTRIBUTION BOARDS, CABINETS AND BUSBAR COMPARTMENTS	
	Length (m)
93875	6

DOOR HANDLES	
91860S	handle with key for LDX, MDX and HDX cabinets
92860S	"T" handle for distribution boards MDX IP65
93860S	"T" handle for distribution boards LDX IP40

HORIZONTAL SEPARATOR	
93600QS	for distribution boards and cabinets width 600mm
93800QS	for distribution boards and cabinets width 850mm

DIN35 RAILS	
93600NC	DIN35 rail - width 600 mm
93800NC	DIN35 rail - width 850 mm
FEN7039	BTDIN - MEGATIKER depth adapter

SUPPORTS FOR TERMINAL BOARDS AND TRUNKINGS	
70000MO	support for DIN32 and DIN35 rail terminal boards
92000M	support for trunkings and terminal boards
92600C	support for trunkings width 600mm
92800C	support for trunkings width 850mm

Item code	RAILS FOR DEVICE FASTENING	
	Width (mm)	Type
70860N	600	DIN35
70861N	850	DIN35
72860N	600	DIN32
72861N	850	DIN32

BLANKING MODULES FOR PANELS WITH DIN WINDOWS	
E90FP	blanking module front cover for plastic panels (box of 24 DIN modules)
E80FP	blanking module front cover for plastic panels (box of 10 DIN modules)

CROSS-PIECES FOR FASTENING CABLES	
93200TRO	Width 250mm to fasten horizontal cables
93300TRO	Width 350mm for external busbar compartment LDX400 and HDX
93600TRO	Width 600mm to fasten horizontal cables
93800TRO	Width 850mm to fasten horizontal cables

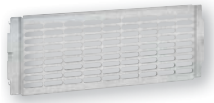
VARIOUS ACCESSORIES	
9530KC	pair of hinges for panels with 4 screws
81835	M6 nut for internal fastenings on "U" rails
65010	threaded plates to fasten devices for DIN35 rails
93000RAL	RAL7035 grey paint for retouches
7039	depth adapter for BTDIN side-by-side with MEGATIKER

EARTH BUSBARS AND SUPPORTS	
78860N/6N	earth busbar width 600mm
78860N/8N	earth busbar width 850mm
78860/PL	insulated supports for earth busbars (for LDX-P distribution boards)

FASTENING AND SIDE-BY-SIDE MOUNTING ACCESSORIES	
93000FM	kit to fasten LDX400 distribution boards to the wall
93000FMPL	kit to fasten LDX-P distribution boards to the wall
93000AFRP	reinforcement kit for side-by-side mounting of LDX-P distribution boards
93000AFP	kit for side-by-side mounting of LDX distribution boards and cabinets

# MAS 400

## Plates, blank panels and panels for ventilation



68860N



9527PL



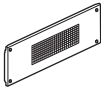
9531

Item code			BLANK PANELS	
1/4 turn	Screw	Lock	Height (mm)	Width (mm)
9527PL*			50	600
9529PL*			150	600
9530PL*			200	600
9527Q	9527		50	600
9528Q	9528		100	600
9529Q	9529		150	600
9530Q	9530	9530CS	200	600
9533Q	9533N	9533CS	300	600
9531Q	9531	9531CS	400	600
9532Q	9532	9532CS	600	600
9777Q	9777		50	850
9778Q	9778		100	850
9779Q	9779		150	850
9780Q	9780		200	850
9783Q	9783		300	850
9781Q	9781		400	850
9782Q	9782		600	850

\*Plastic

### FRONT PANELS FOR NATURAL VENTILATION

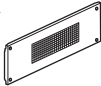
1/4 turn	Screw	Height (mm)	Width (mm)
9530AQ	9530A	200	600
9780AQ	9780A	200	850



### FRONT PANELS FOR FORCED VENTILATION

With motor operator 220/240 V - 50 Hz - 18 VA - 160m<sup>3</sup>/h

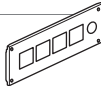
1/4 turn	Screw	Height (mm)	Width (mm)
9530AVQ	9530AV	200	600
9780AVQ	9780AV	200	850



### FRONT PANELS FOR METERING INSTRUMENTS (96X96 mm)

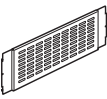
For three ammeters, a voltmeter and a voltmeter selector switch.

	Height (mm)	Width (mm)
9530SNC	200	600
9780SNC	200	850



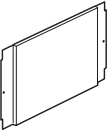
### SLOTTED PLATES

	Height (mm)	Width (mm)
68860N	200	600
68868N	200	850
68864N	400	600

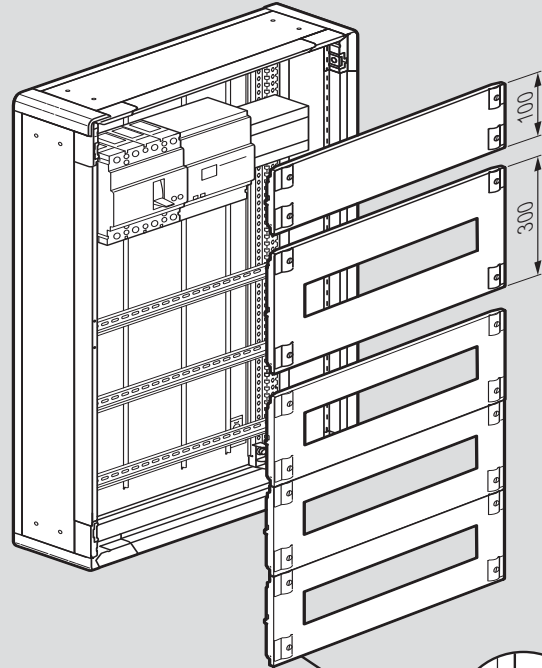


### METAL SHEET INTERNAL PLATES

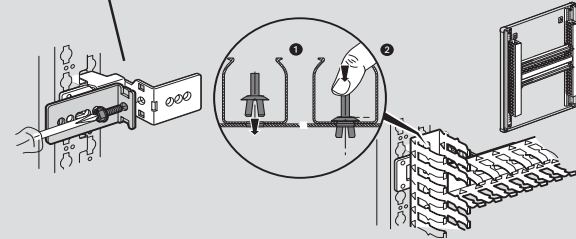
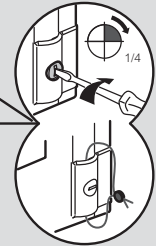
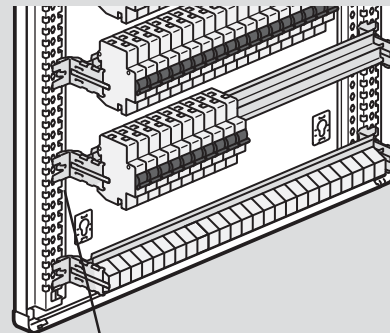
	Height (mm)	Width (mm)
9540L	200	600
9545L	400	600
9546L	600	600
9554L	1000	850
9543L	400	850
9544L	600	850
9556L	1000	600



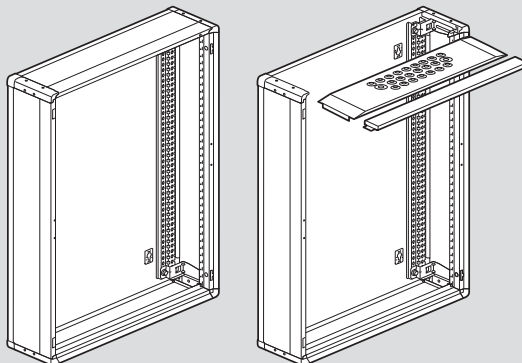
### FRONT PANELS 1/4 TURN



### TRUNKING SUPPORTS



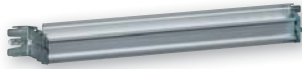
### CABLE ENTRY PLATE





# MAS 400

Panels and plates for fixed version with FRONT terminals - VERTICAL version



93600NC



9533/24Q

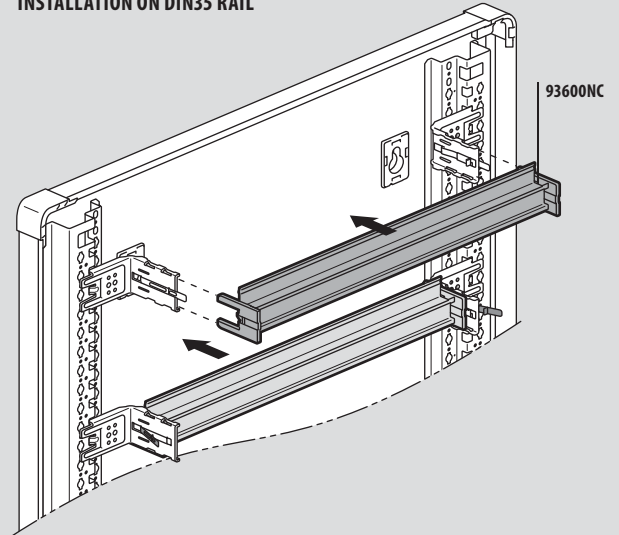


9531PCME

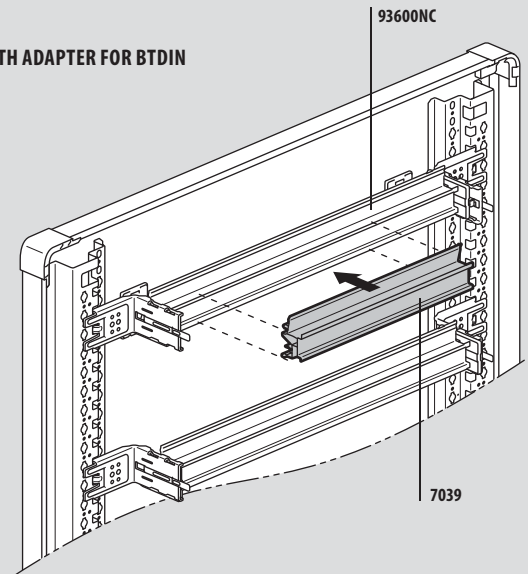
Item code	INSTALLATION ON DIN35 RAIL				
Circuit breakers	LxA (mm)	DIN rail	Panel 1/4 turn	Screw	Plastic
<b>BTDIN</b>	600x150	<b>93600NC</b>	<b>9529/24Q</b>	<b>9529/24</b>	<b>9529/24PL</b>
	600x200		<b>9531/24Q</b>	<b>9531/24</b>	<b>9531/24PL</b>
	600x300		<b>9533/24Q</b>	<b>9533/24</b>	<b>9533/24PL</b>
	850x150	<b>93800NC</b>	<b>9779/36Q</b>	<b>9779/36</b>	-
	850x200		<b>9780/36Q</b>	<b>9780/36</b>	-
<b>M1 160-M2 250</b>	850x300		<b>9783/36Q</b>	<b>9783/36</b>	-
	600x300	<b>9531PCMEN</b>	<b>9533/24Q</b>	<b>9533/24</b>	<b>9533/24PL</b>
<b>MW63÷160*</b>	850x300	<b>9581PCMEN</b>	<b>9783/36Q</b>	<b>9783/36</b>	
	600x200	<b>93600NC</b>	<b>9531/24Q</b>	<b>9531/24</b>	<b>9531/24PL</b>
	600x300		<b>9533/24Q</b>	<b>9533/24</b>	<b>9533/24PL</b>
	850x200	<b>93800NC</b>	<b>9780/36Q</b>	<b>9780/36</b>	-
850x300	<b>9783/36Q</b>		<b>9783/36</b>	-	

\* on LDX400 and LDX-P with IP40/41 protection index, can only be mounted using the curved doors. There are no limitations for MDX400.

## INSTALLATION ON DIN35 RAIL



## DEPTH ADAPTER FOR BTDIN



## TABLE FOR BTDIN DEPTH ADAPTER

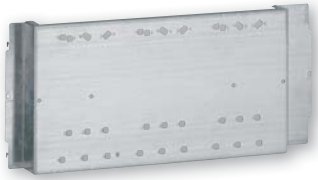
<b>BTDIN</b>			
<b>M1 160 M2 50</b>			
<b>BTDIN M1 160 M2 50</b>	 + 	 + 	

7039



# MAS 400

Panels and plates for fixed version with FRONT terminals - VERTICAL version



9531PC/TN



9532/TNQ

Item code	INSTALLATION OF MEGATIKER M160-630E					
Circuit breakers	LxA (mm)	Plate	Panel 1/4 turn	Screw	Plastic	Max. No. of circuit breakers
<b>M160÷250E</b>	600x400	9531PC/TN	9531/TNQ	9531/TN	9531/TNPL*	3
	850x400	9781PC/TN	9781/TNQ	9781/TN	-	3
<b>M4 630</b>	600x400	9531PC/TN	9531/TNQ	9531/TN	9531/TNPL*	2
	850x400	9781PC/TN	9781/TNQ	9781/TN	-	3

\* max 1 interruttore

### INSTALLATION OF M160-630E WITH EARTH LEAKAGE

The sheet panels have laser-cut cut outs to adapt them to the mounting of up to three moulded case circuit breakers (depending on the size)

Circuit breakers	LxA (mm)	Plate	Panel 1/4 turn	Screw	Plastic	Max. No. of circuit breakers
<b>M160÷250E + G160-250</b>	600x600	9532PC/TN	9532/TNQ	9532/TN	9532/TNPL*	3
	850x600	9782PC/TN	9782/TNQ	9782/TN		3
<b>M4 630 + G400-630</b>	600x600	9532PC/TN	9532/TNQ	9532/TN	9532/TNPL*	2
	850x600	9782PC/TN	9782/TNQ	9782/TN		3

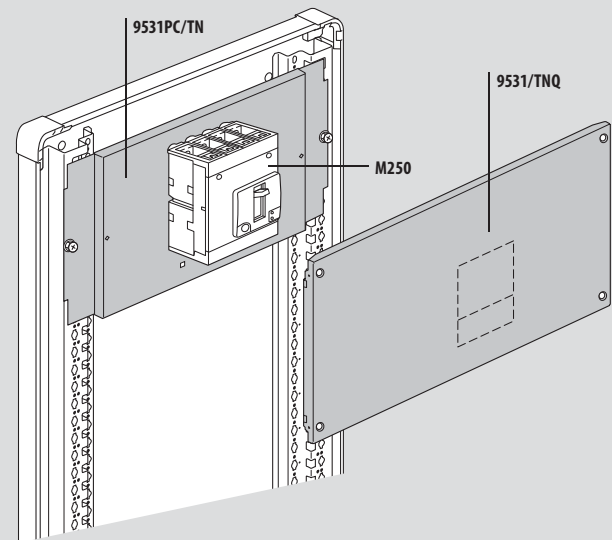
\* max 1 circuit breaker

### FRONT PANELS FOR MEGASWITCH DISCONNECTORS

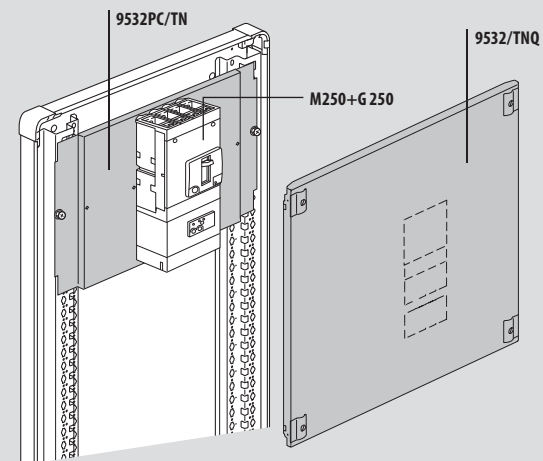
Circuit breakers	LxA (mm)	Plate	Panel 1/4 turn	Screw	N° MEGASWITCH
<b>MW250*</b>	600x300	9561PC/W	9561/1WQ	9561/1W	1
	600x300		9561/2WQ	9561/2W	1 or 2
	850x400	9761PC/W	9561/1WQ	9761/1W	1
	850x400		9761/2WQ	9761/2W	1 or 2
<b>MW630*</b>	600x300	9561PC/SW	9561/SWQ	9532/ME	1
	850x600	9761PC/SW	9761/SWQ	9761/SW	1

\* panels for Megaswitch disconnectors

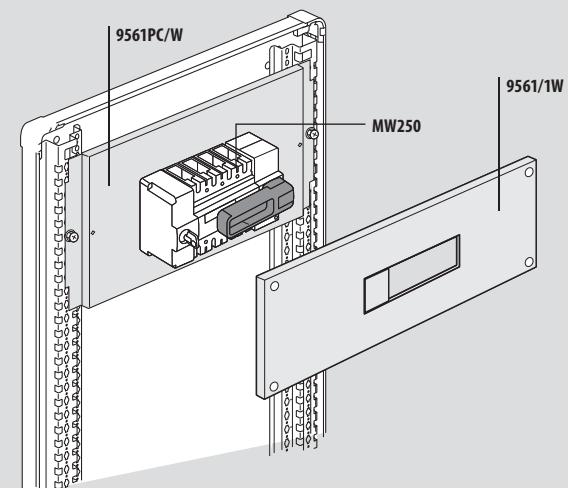
### INSTALLATION OF M160-630E



### INSTALLATION OF M160-630E WITH EARTH LEAKAGE



### INSTALLATION OF MW250-630



**BTicino** SpA  
Viale Borri, 231  
21100 Varese - Italia  
[www.bticino.com](http://www.bticino.com)

**bticino**  
A Group Brand |  **legrand**

In accordance with its policy of continuous improvement, the Company reserves the right to change specifications and designs without notice. All illustrations, descriptions, dimensions and weights in this catalogue are for guidance and cannot be held binding on the Company.

AD-EX-MA400-2016C - 07/2016