

MAS 160

Distribution boards



bticino

MAS 160

Distribution boards



94550P



94560L



94530I

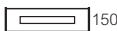
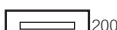
SDX-P SDX-L WALL MOUNTED DISTRIBUTION BOARD COMPLETE WITH PANELS

Item code		Width (mm)	Height (mm)	Depth (mm)	N° of modules	Dimensions and N° of front panels (mm)
Plastic (PVC)	Metal sheet					
94520P	94520L	515	400	145	48	200 200
94530P	94530L	515	550	145	72	200 150 200
94540P	94540L	515	700	145	96	200 150 150 200
94551P	94551L	515	850	145	96	50 300 150 150 200
94550P	94550L	515	850	145	120	200 150 150 150 200
94561P	94561L	515	1000	145	120	50 300 150 150 150 200
94560P	94560L	515	1000	145	144	200 150 150 150 150 200

SDX DOORS FOR WALL AND FLUSH MOUNTED DISTRIBUTION BOARDS

Item code		Width (mm)	Height (mm)
Metal sheet	Glass		
94520LA	94520VE	515	400
94530LA	94530VE	515	550
94540LA	94540VE	515	700
94550LA	94550VE	515	850
94560LA	94560VE	515	1000

SPARE PANELS

Item code		Width (mm)	Height (mm)	N° of modules
Plastic (PVC)	Metal sheet			
9429/24PL	9429/24Q	515	150	24
				
9431/24PL	9431/24Q	515	200	24
				

SDX-I FLUSH MOUNTED DISTRIBUTION BOARD COMPLETE WITH PANELS

Item code		Width (mm)	Height (mm)	Depth (mm)	N° of modules	Dimensions and N° of front panels (mm)
Metal sheet						
94520I		515	400	145	48	200 200
94530I		515	550	145	72	200 150 200
94540I		515	700	145	96	200 150 150 200
94551I		515	850	145	96	50 300 150 150 200
94550I		515	850	145	120	200 150 150 150 200
94561I		515	1000	145	120	50 300 150 150 150 200
94560I		515	1000	145	144	200 150 150 150 150 200

ACCESSORIES

93860S	"T" handle for SDX distribution boards
93000RAL	RAL7035 grey retouch paint
94000MV	supports for vertical trunking
94000MO	supports for horizontal trunking
94000BV	vertical cable bracket
94000SM	support for vertical terminal board
94000STP	TIFAST PETTINI central support
94000MN	neutral terminal board
94500PP	cable entry plate for SDX-L
94500TRO	SDX-L horizontal cable fixing bar
94000SB	busbar supports for SDX-P terminal board
93000FMPL	wall mounting kit for SDX-P distribution boards
93000FM	wall mounting kit for SDX-L distribution boards
93875	gasket giving an IP43 protection index (length 6 m)
E90FP	blanking module front cover for plastic panels (box of 24 DIN modules)
E80FP	blanking module front cover for plastic panels (box of 10 DIN modules)

MAS 160

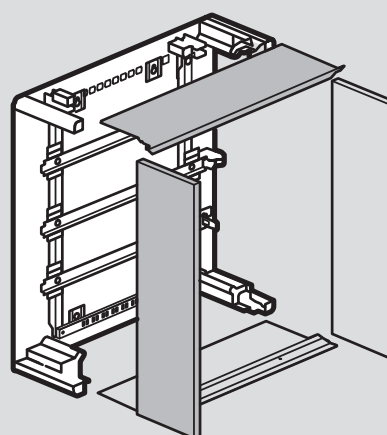
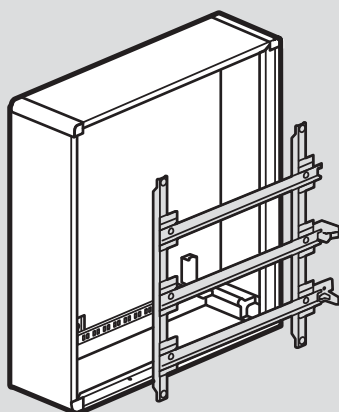
Technical data

TECHNICAL FEATURES

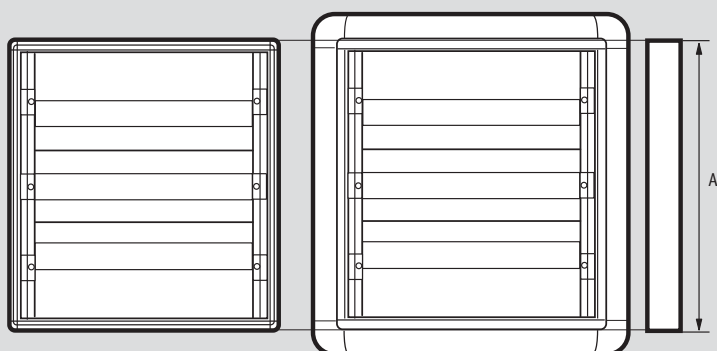
Reference standard	CEI 23-49 IEC EN 61439-1/2
Type of enclosure	distribution board
Tipo materiale di costruzione	plastic (SDX-P) Metal (SDX-L - SDX-I)
Thickness (mm)	7 (structures) / 2,5 (front panels)
Colour	grey RAL 7035
Protection index	IP30 without door
	IP40 with door
	IP43 door + gasket
Maximum rated current of the circuit breaker that can be installed In (A)	160
Maximum peak current Ipk (limited)* (kA)	21
Conditioned short circuit current Icc (kA)	50
Painting of the enclosures surfaces	epoxy polyester powder
Treatment of surfaces, supports, fasteners	passivated galvanising
Distance between glass and front panels(mm)	31 (flat door)
Useful internal depth (plate/panel) (mm)	106

* these values refer to a short circuit opened by a circuit breaker installed inside the container itself

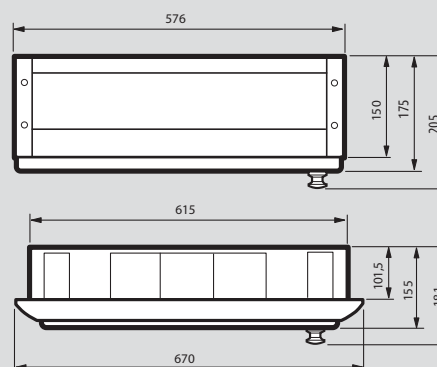
SDX-P, SDX-L STRUCTURE COMPOSITION



DIMENSIONAL DATA



SDX-P, SDX-L, SDX-I: Containment dimensions of devices (transversal section)



Modules	A		
	SDX-L	SDX-P	SDX-I*
48	450	450	490 (546)
72	600	600	640 (696)
96	750	750	790 (846)
120	900	900	940 (996)
144	1050	1050	1090 (1146)

* Sizes refer to flush mounting box, and to the external surround panel (in brackets)

BTicino SpA
Viale Borri, 231
21100 Varese - Italia
www.bticino.com

bticino
A Group Brand |  **legrand**

In accordance with its policy of continuous improvement, the Company reserves the right to change specifications and designs without notice. All illustrations, descriptions, dimensions and weights in this catalogue are for guidance and cannot be held binding on the Company.

AD-EX-MA160-2016C - 07/2016